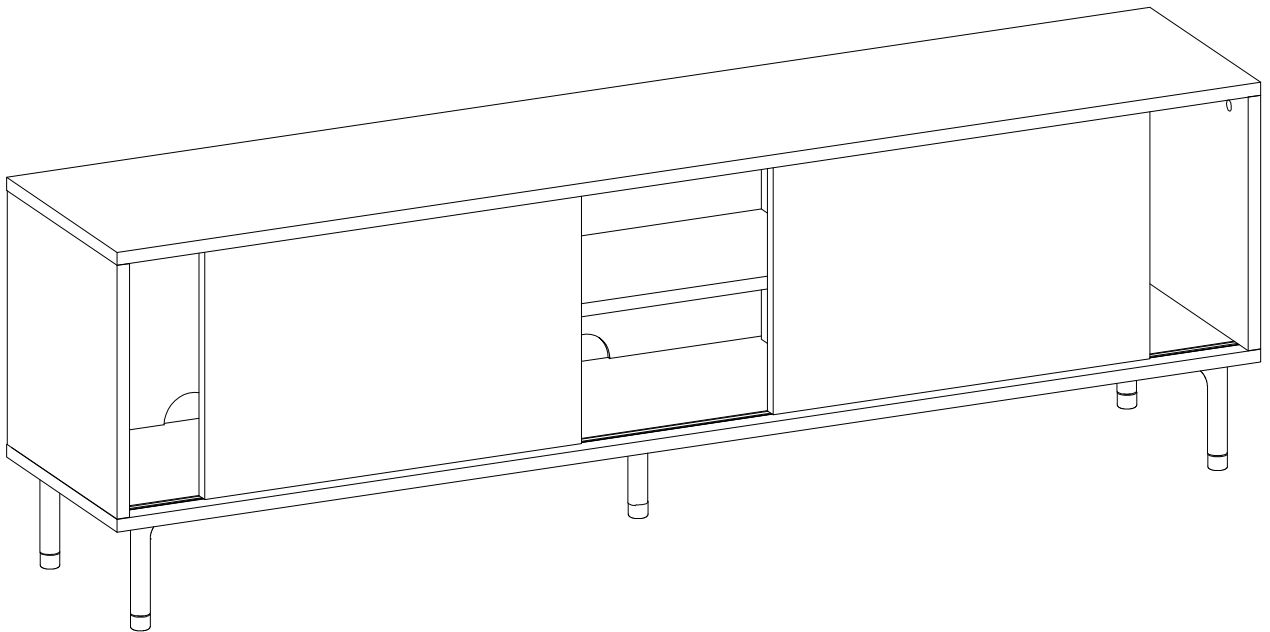




SCAN FOR  
VIDEO ASSEMBLY





## **Español**

### **ADVERTENCIA!**

El vuelco del mueble puede provocar lesiones graves o mortales por aplastamiento. Para evitar que este mueble vuelque, recomendamos encarecidamente su uso con los dispositivos de fijación a la pared suministrados.

## **Deutsch**

### **WARNUNG!**

Schwere oder tödliche Quetschverletzungen können durch das Umkippen von Möbeln entstehen. Um das Umkippen dieser Möbel zu verhindern, empfehlen wir dringend die Verwendung der mitgelieferten Wandbefestigungsvorrichtung(en).

## **Nederlands**

### **WAARSCHUWING!**

Serieuze of fatale verpletteringsletsels kunnen optreden door het omvallen van meubels. Om dit te voorkomen, raden we ten zeerste aan om de muurbevestigingsmiddelen te gebruiken die bij dit meubilair worden geleverd.

## **English**

### **WARNING!**

Serious or fatal crushing injuries can occur from furniture tip over. To prevent tip over this furniture we highly recommend to use with the wall attachment device(s) provided.

## **Français**

### **AVERTISSEMENT!**

Risque de blessure grave ou mortelle par écrasement en cas de chute du meuble. Pour éviter tout risque de basculement, ce meuble doit être fixé au mur à l'aide des fixations incluses.

## **Ελληνική**

### **ΠΡΟΕΙΔΟΠΟΙΗΣΗ!**

Σοβαροί ή θανατηφόροι τραυματισμοί από την ανατροπή του επίπλου είναι πιθανοί. Για να αποτραπεί αυτή η ανατροπή, συνιστούμε ανεπιφύλακτα να χρησιμοποιήσετε τη συσκευή ή τις συσκευές στερέωσης στον τοίχο που παρέχονται με το έπιπλο.

Dear Valued Customer,

Before embarking on the assembly journey of our meticulously designed furniture piece, we extend a friendly caution to those who might find themselves navigating the assembly instructions like uncharted waters. Consider this your assembly roadmap, but remember, not all who venture forth heed the warnings.

**Mind the Details:** In the intricate dance of screws, bolts, and mysterious components, attention to detail is your compass. Failure to acknowledge the subtleties may lead to a misstep in the assembly waltz.

**Avoid Solo Sailing:** While solo adventures are admirable, assembling our furniture is a team sport. Rally your crew, or at least one reliable sidekick, to ensure a smoother voyage. Two sets of eyes are better than one, especially when deciphering assembly hieroglyphics.

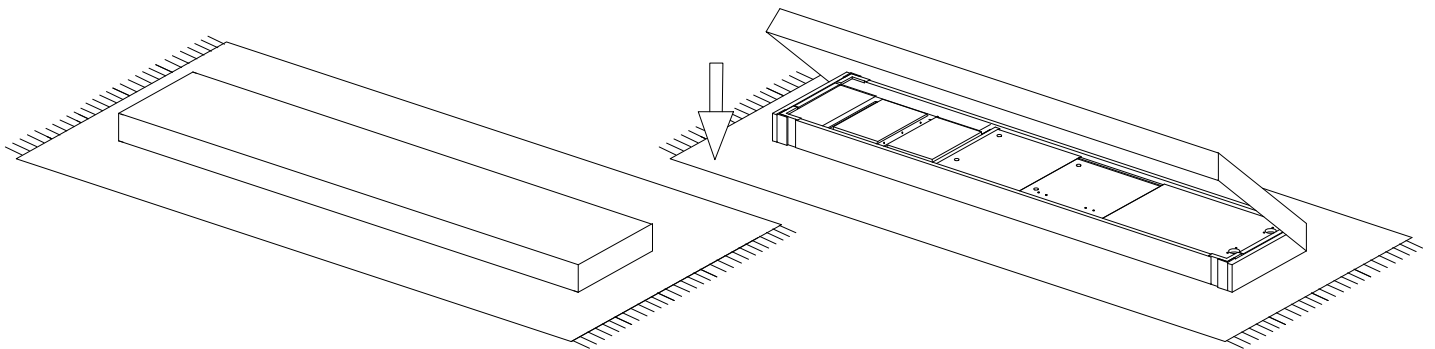
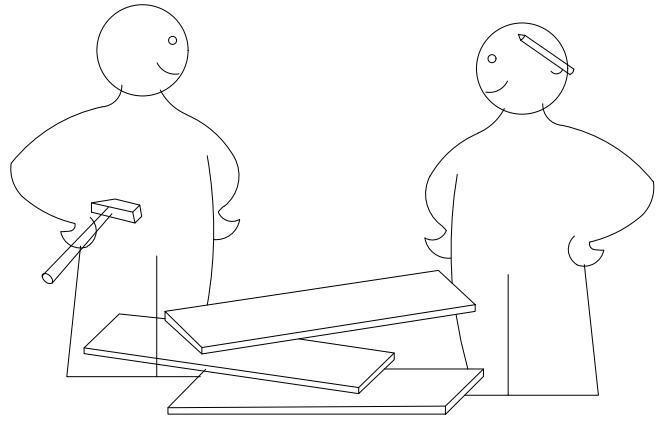
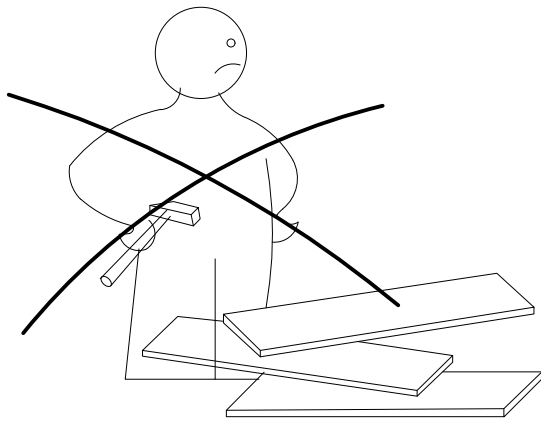
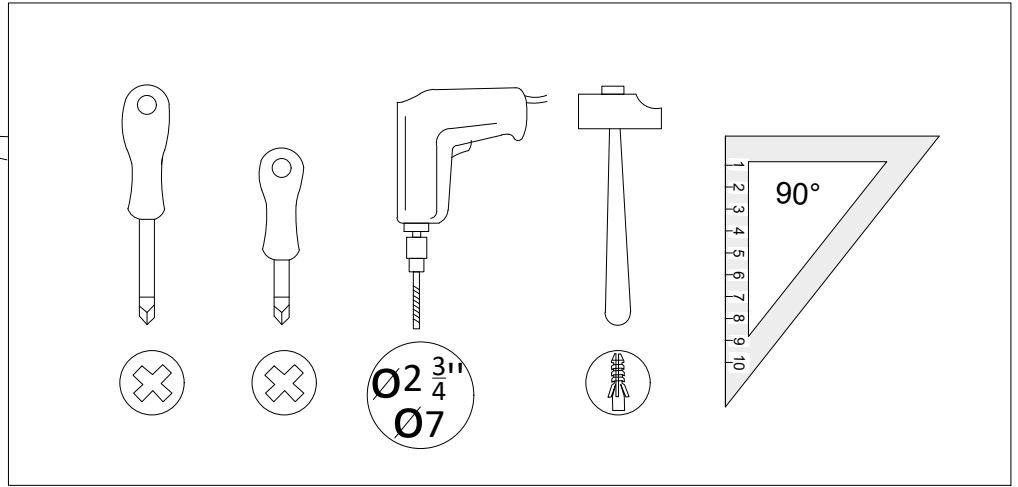
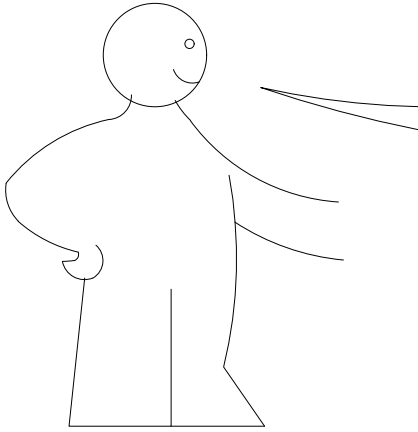
**Tools are Your Allies:** The toolkit provided isn't just for show. Each tool is a trusty sidekick in your quest for furniture glory. Disregarding their importance may result in frustration and a potential detour to the hardware store.

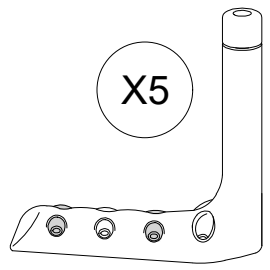
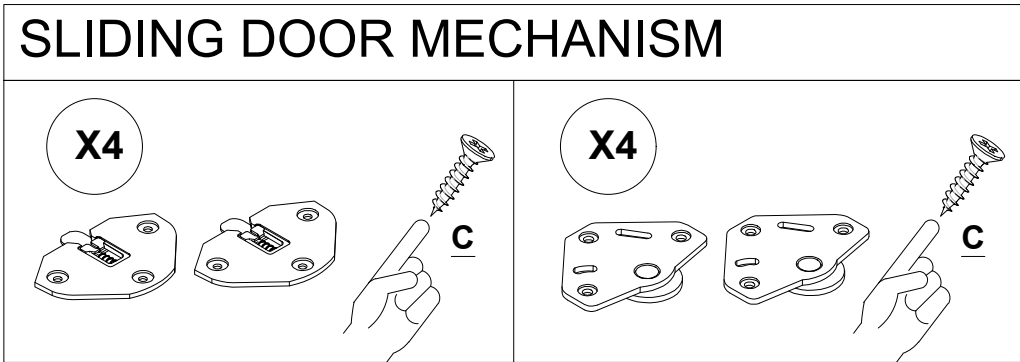
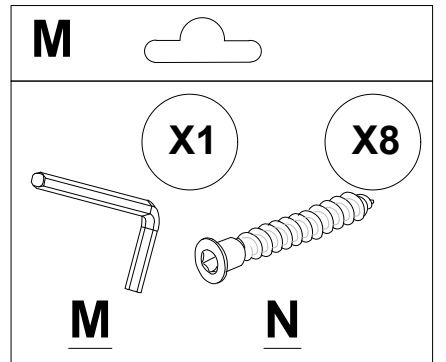
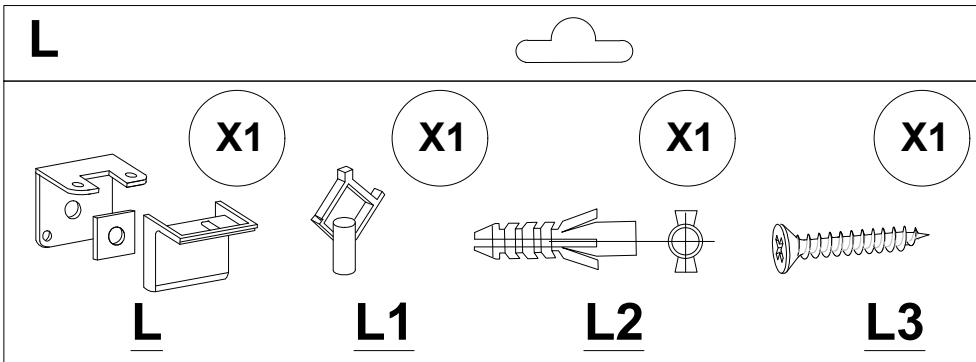
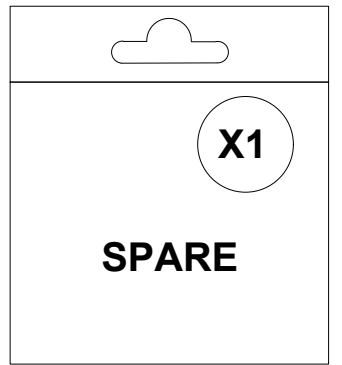
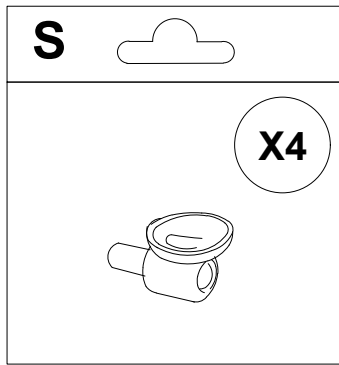
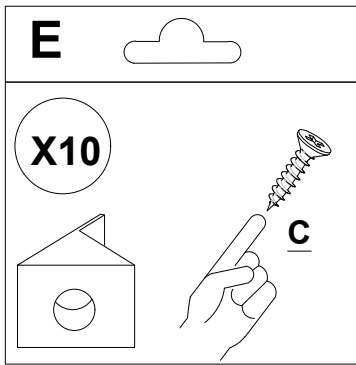
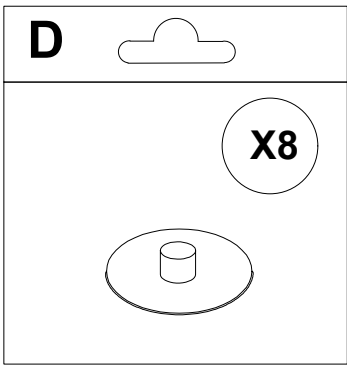
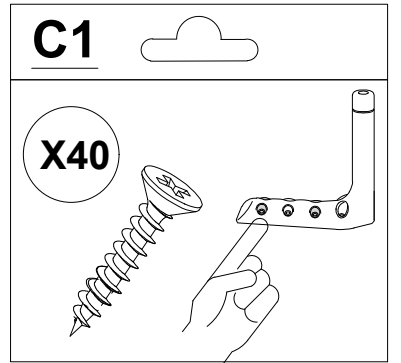
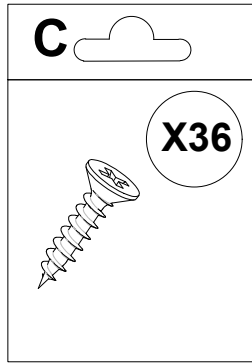
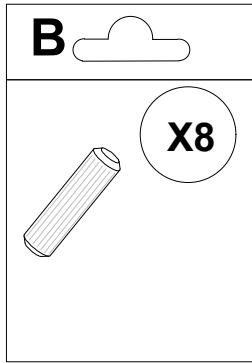
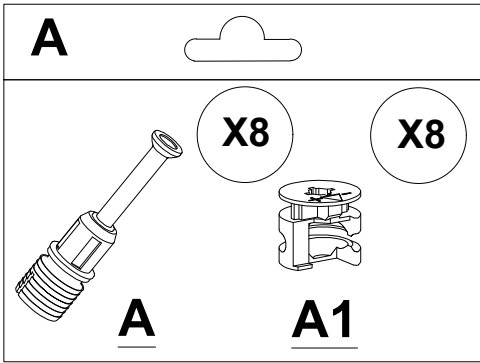
**The Manual is Your Map:** The assembly manual is not just a paperweight. It's your treasure map to furniture utopia. Ignoring its guidance may result in the dreaded disassembly-reassembly loop, a journey no one wants to embark upon.

Remember, brave assembler, you hold the power to turn a pile of parts into a functional masterpiece. With great power comes great responsibility. May your assembly journey be smooth, your Allen wrench swift, and your furniture stand tall and proud.

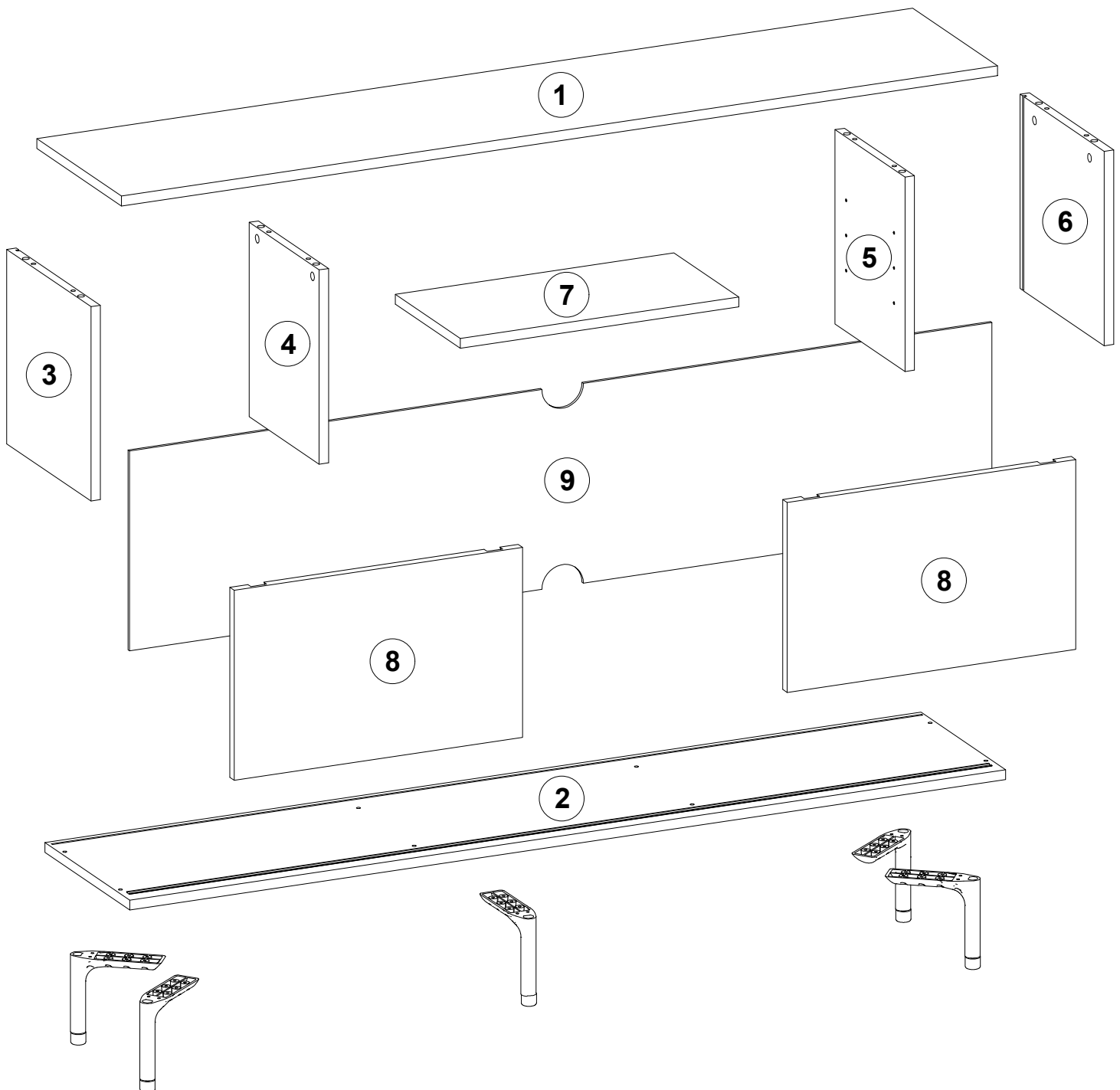
Happy assembling!

Use the drill only to secure the product to the wall.

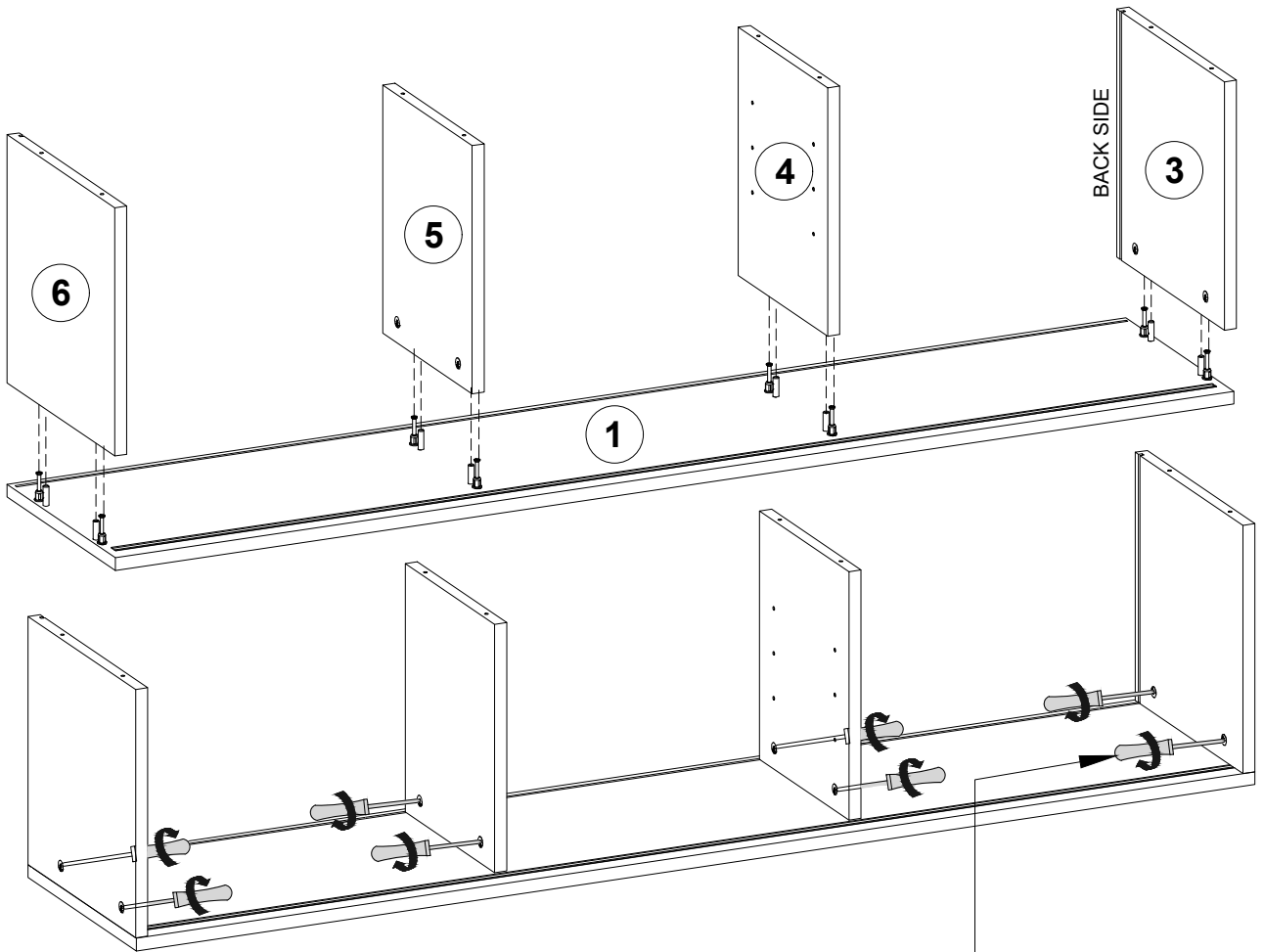




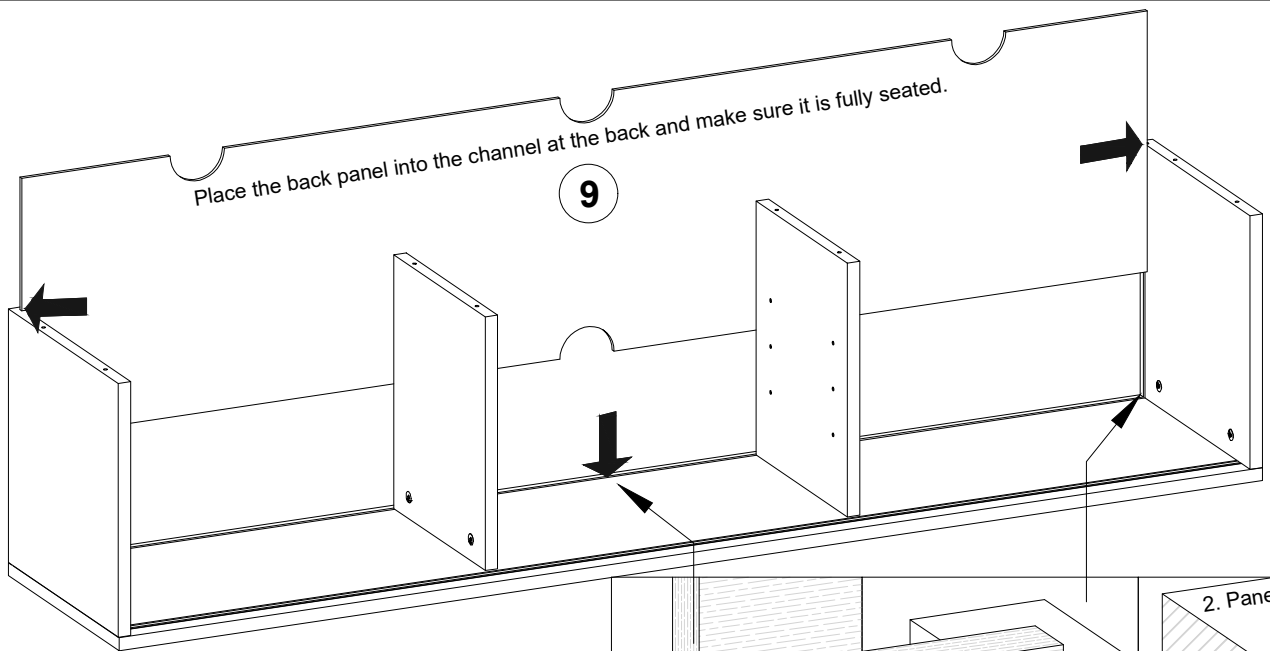
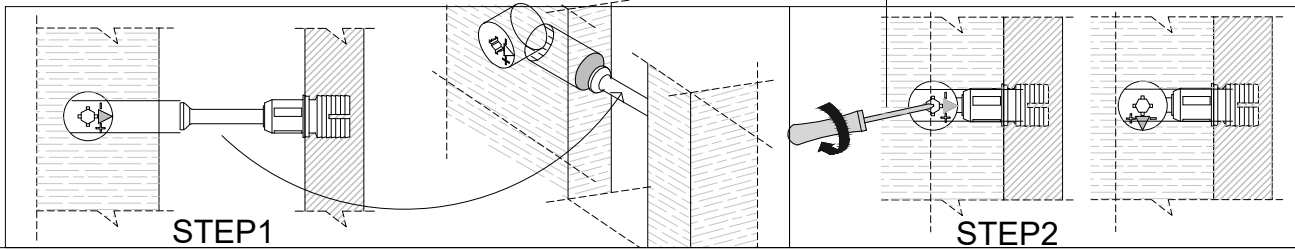
| No | a*b(mm)  | a*b(inches)   | Pcs |
|----|----------|---------------|-----|
| 1  | 1670x345 | 65 3/4x13 5/8 | 1   |
| 2  | 1670x345 | 65 3/4x13 5/8 | 1   |
| 3  | 354x343  | 13 7/8x13 1/2 | 1   |
| 4  | 354x280  | 13 7/8x11     | 1   |
| 5  | 354x280  | 13 7/8x11     | 1   |
| 6  | 354x343  | 13 7/8x13 1/2 | 1   |
| 7  | 531x265  | 20 7/8x10 3/8 | 1   |
| 8  | 550x346  | 21 5/8x13 5/8 | 2   |
| 9  | 1644x364 | 64 3/4x14 3/8 | 1   |



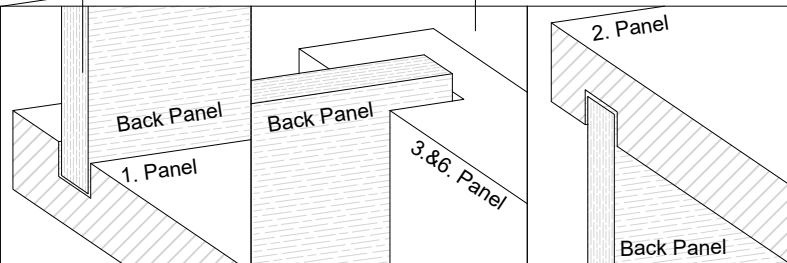


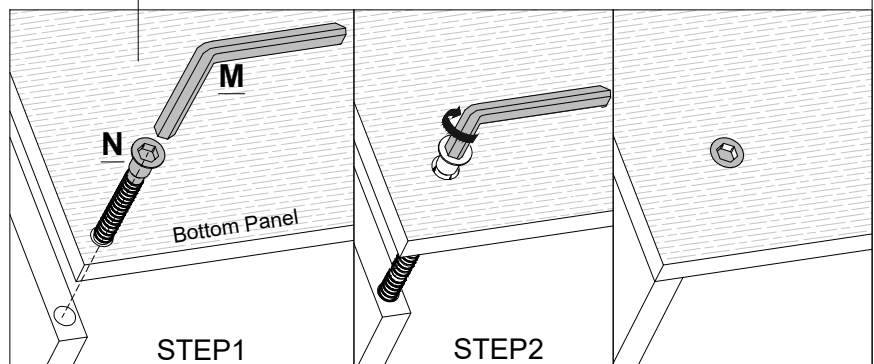
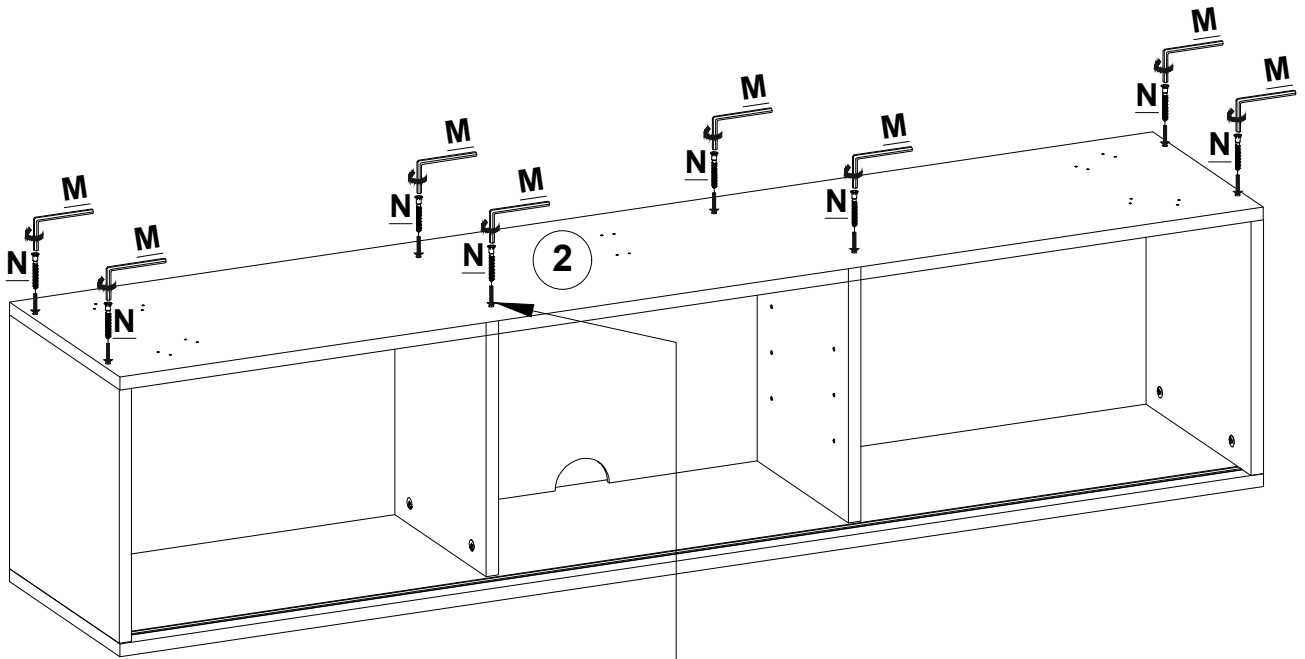
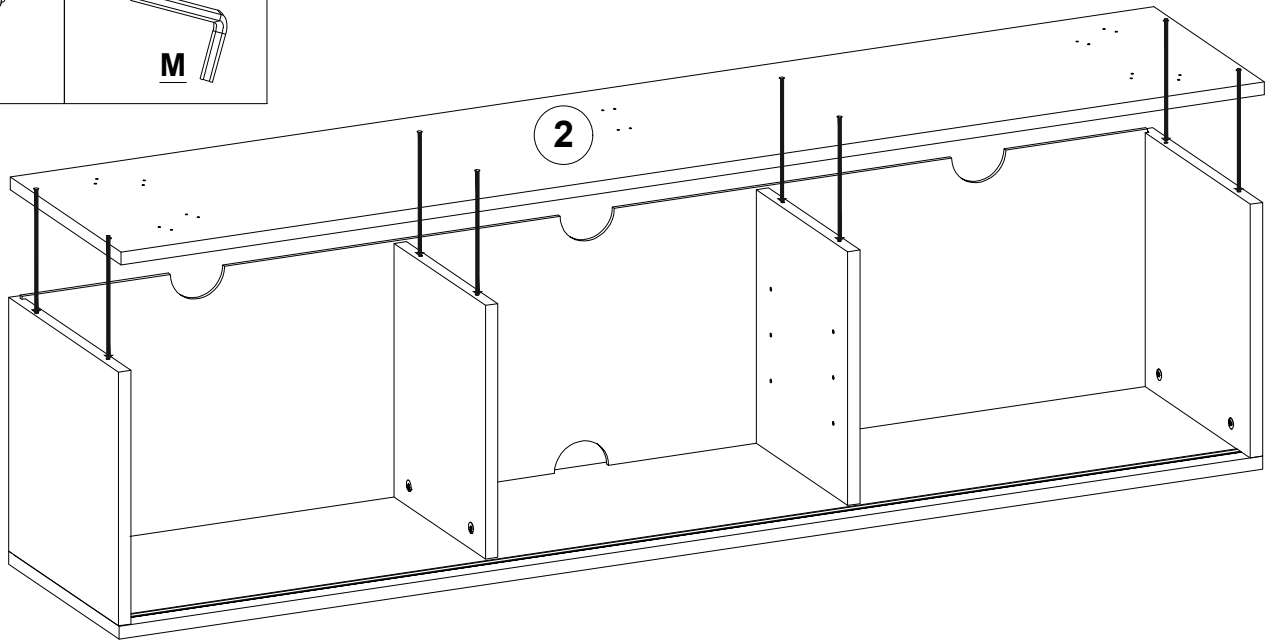
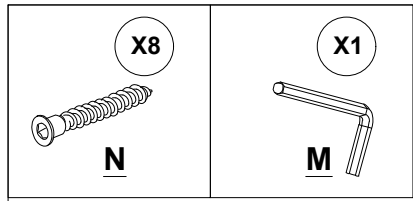


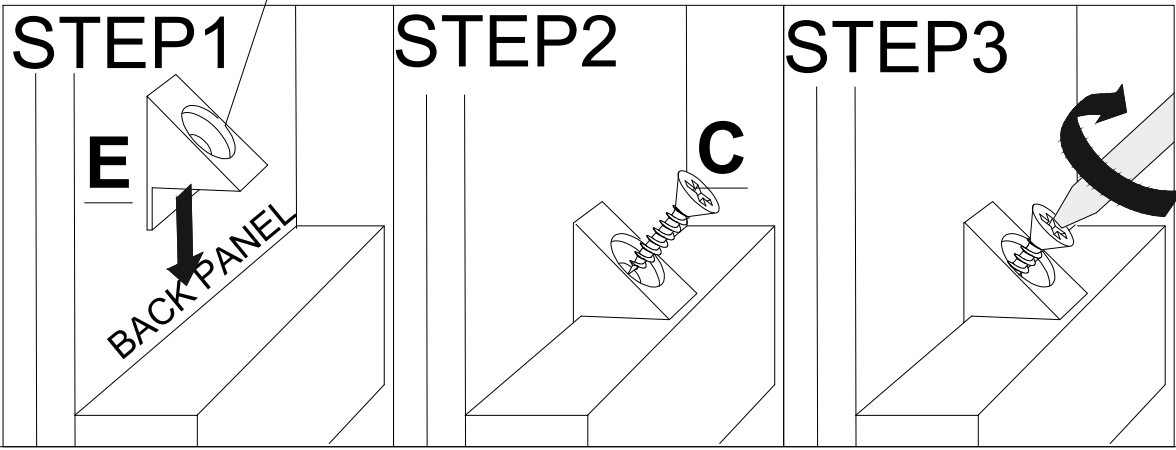
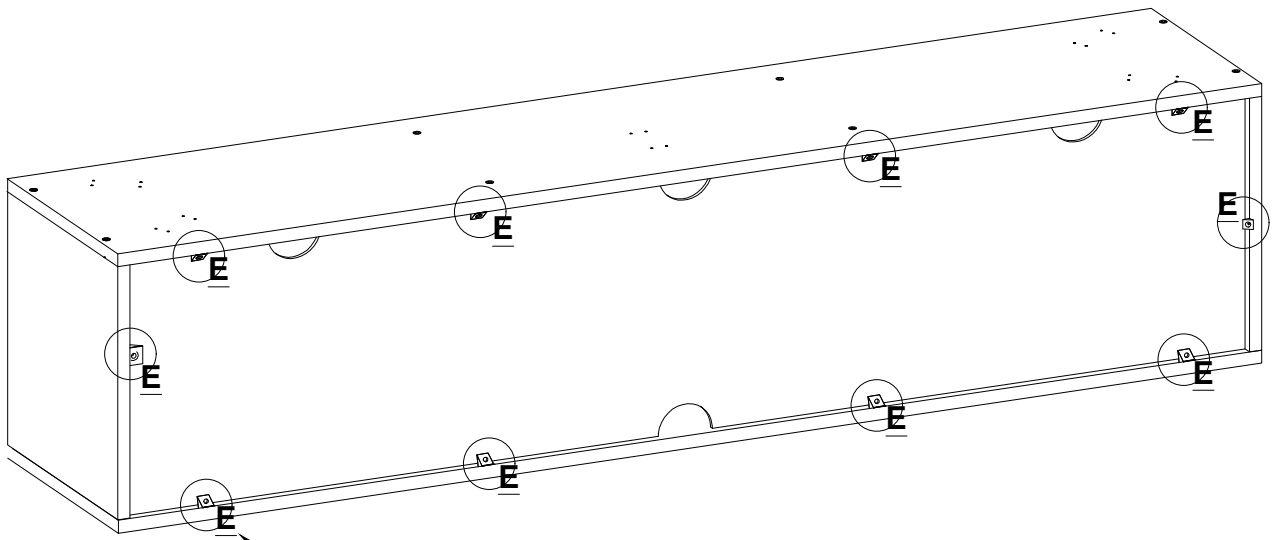
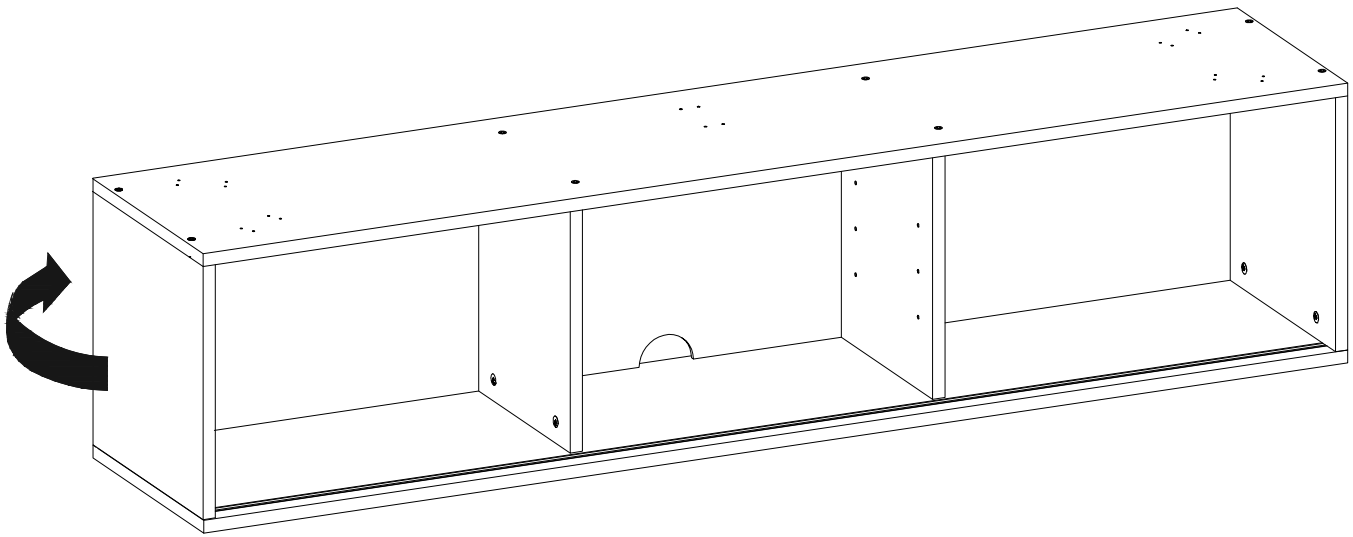
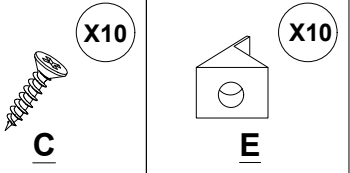
You can make the connection by following the details below.



Place the back panel into the channel at the back and make sure it is fully seated.



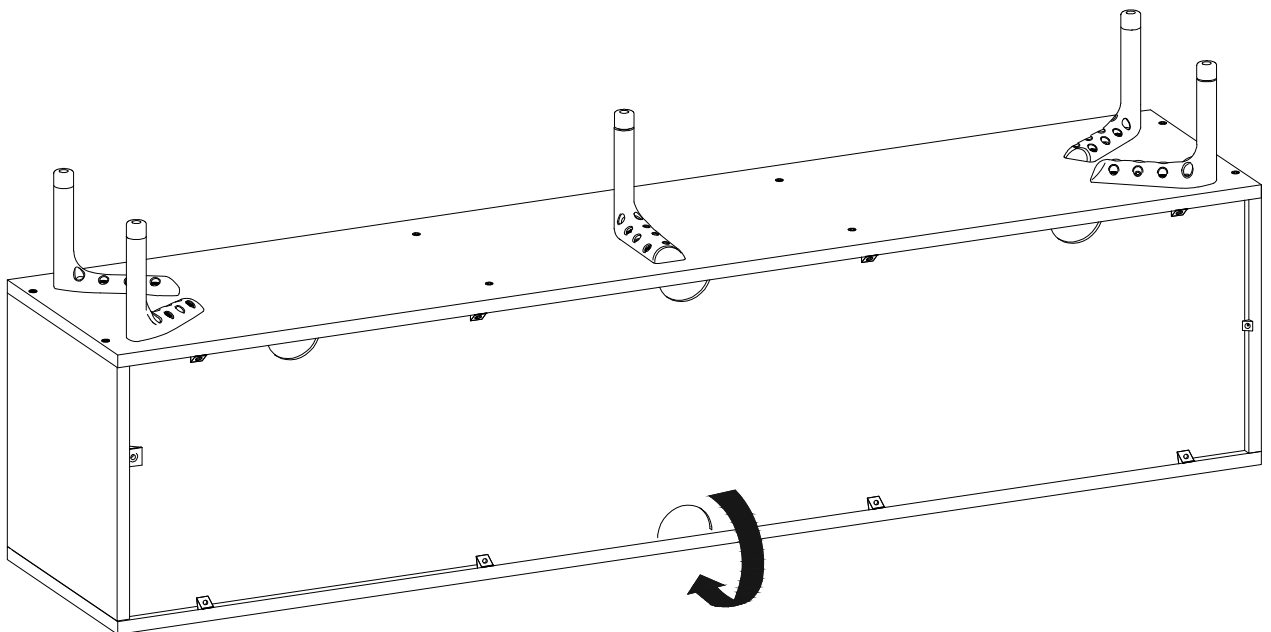
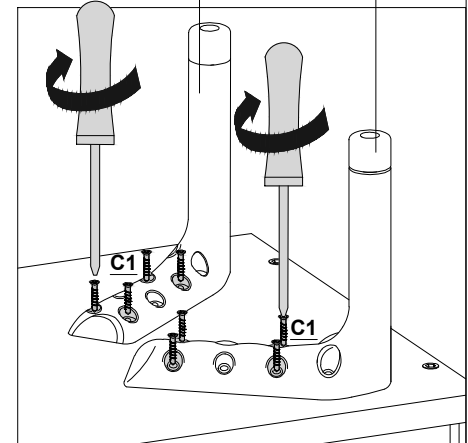
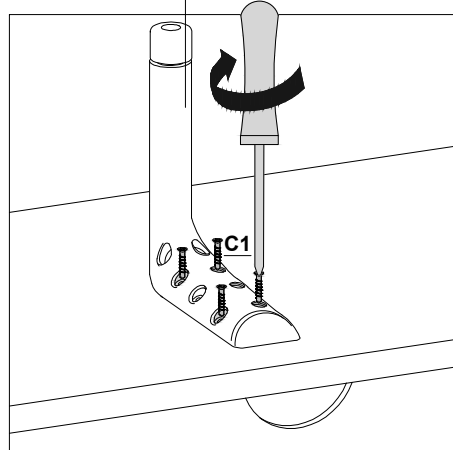
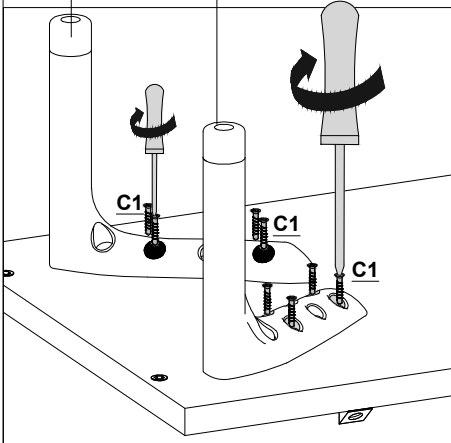
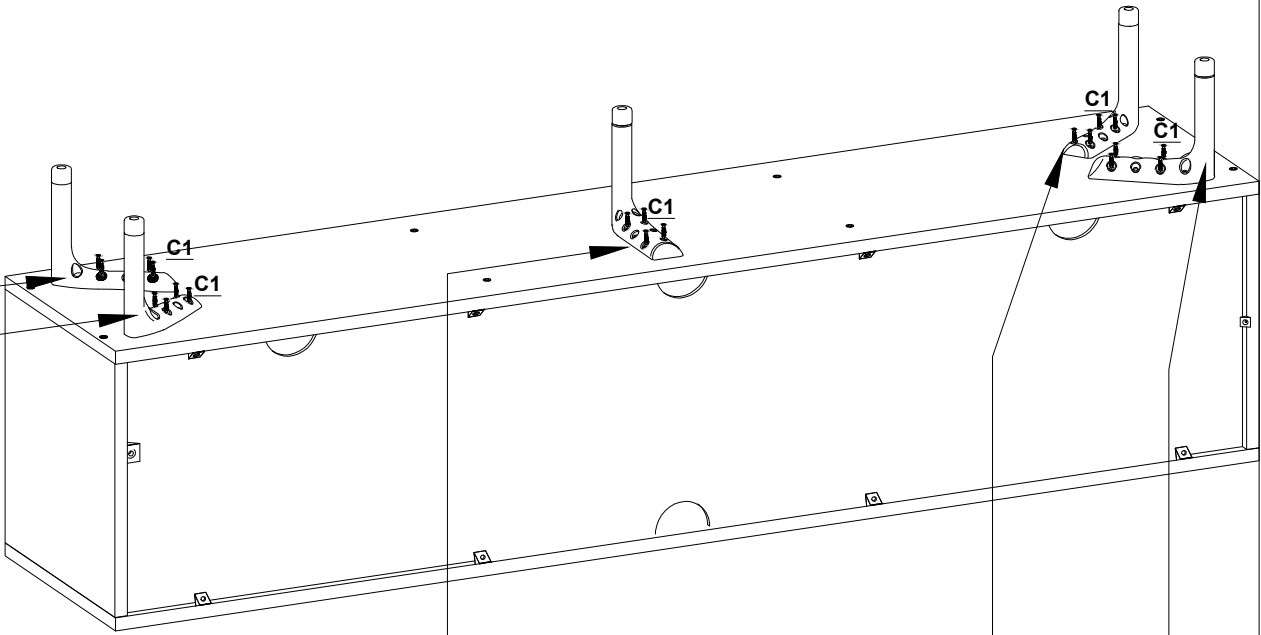




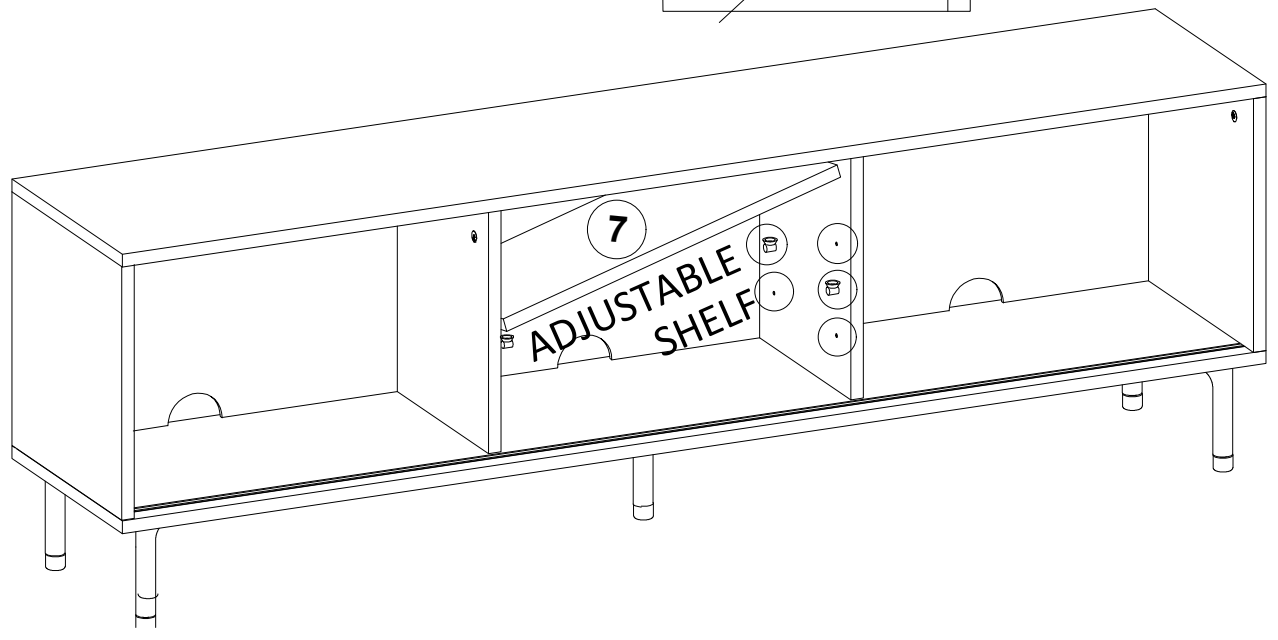
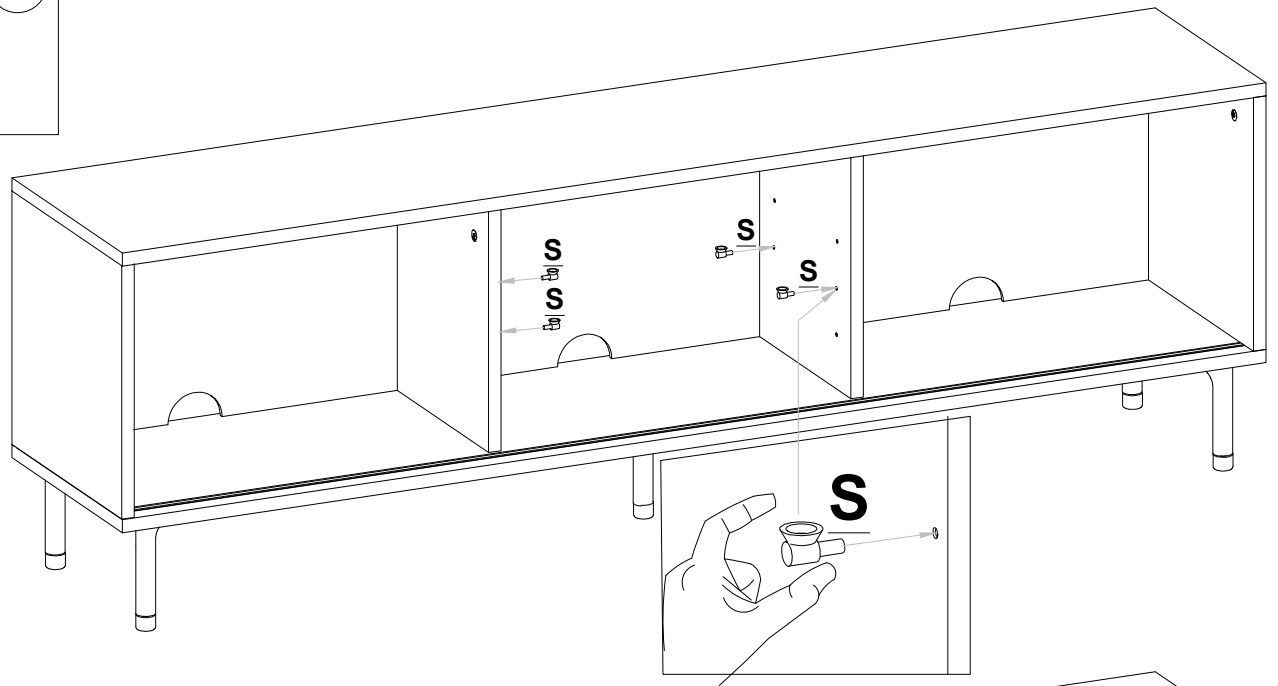
X40



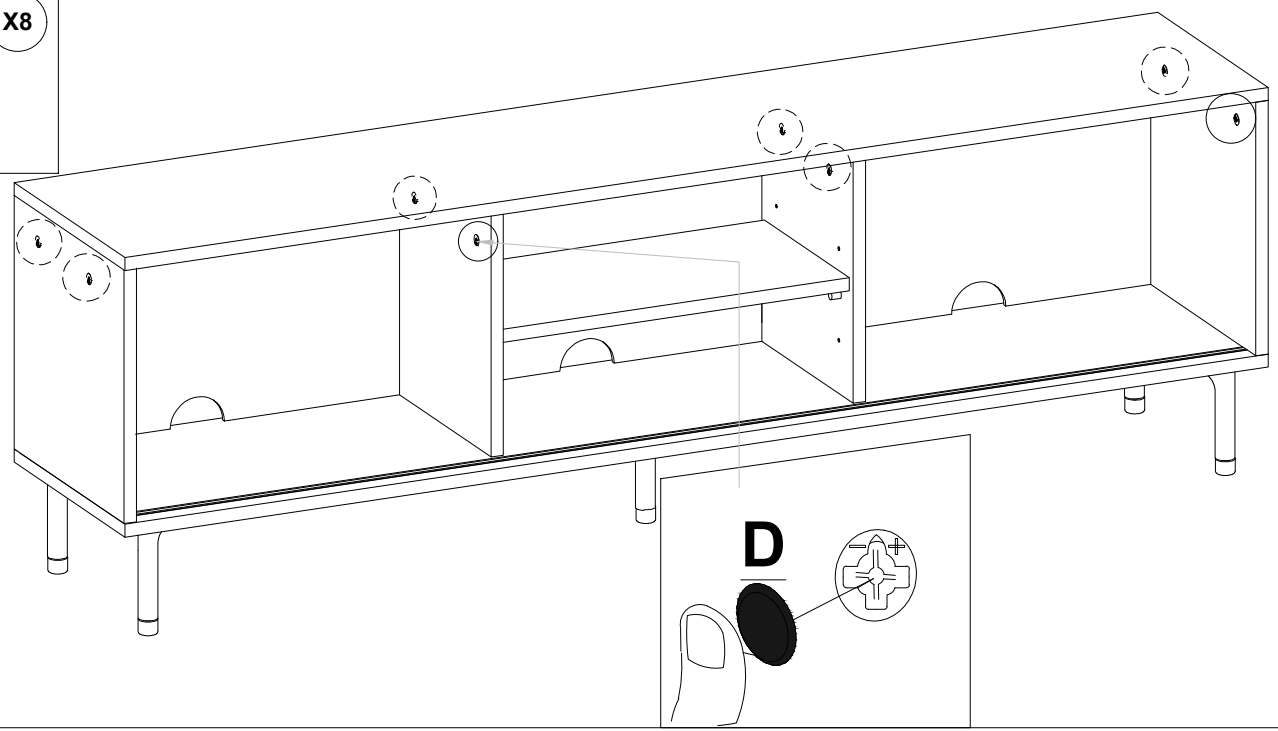
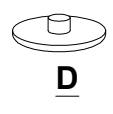
The stand has 8 screw holes. Four of these have been pre-drilled in the unit, which is sufficient for stability. If you prefer, you can also install screws in the remaining holes.



X4

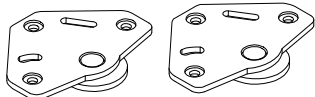
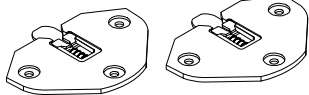


X8



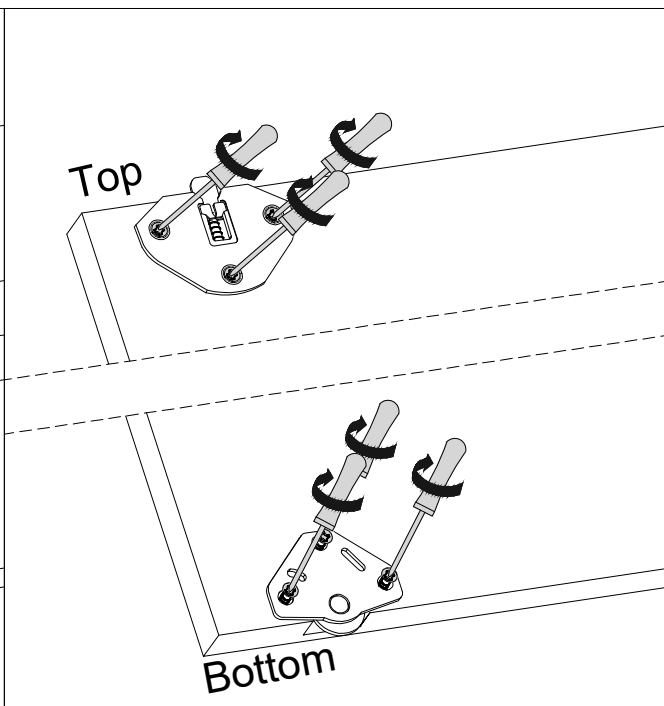
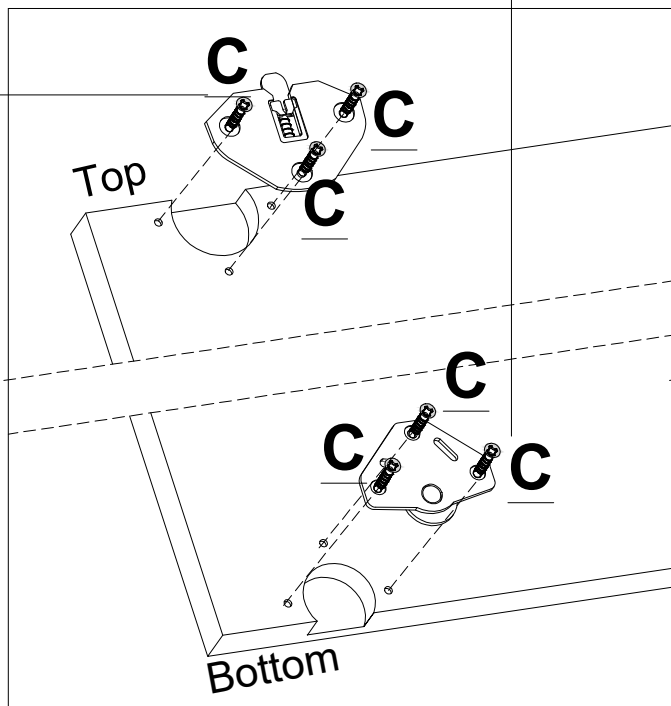
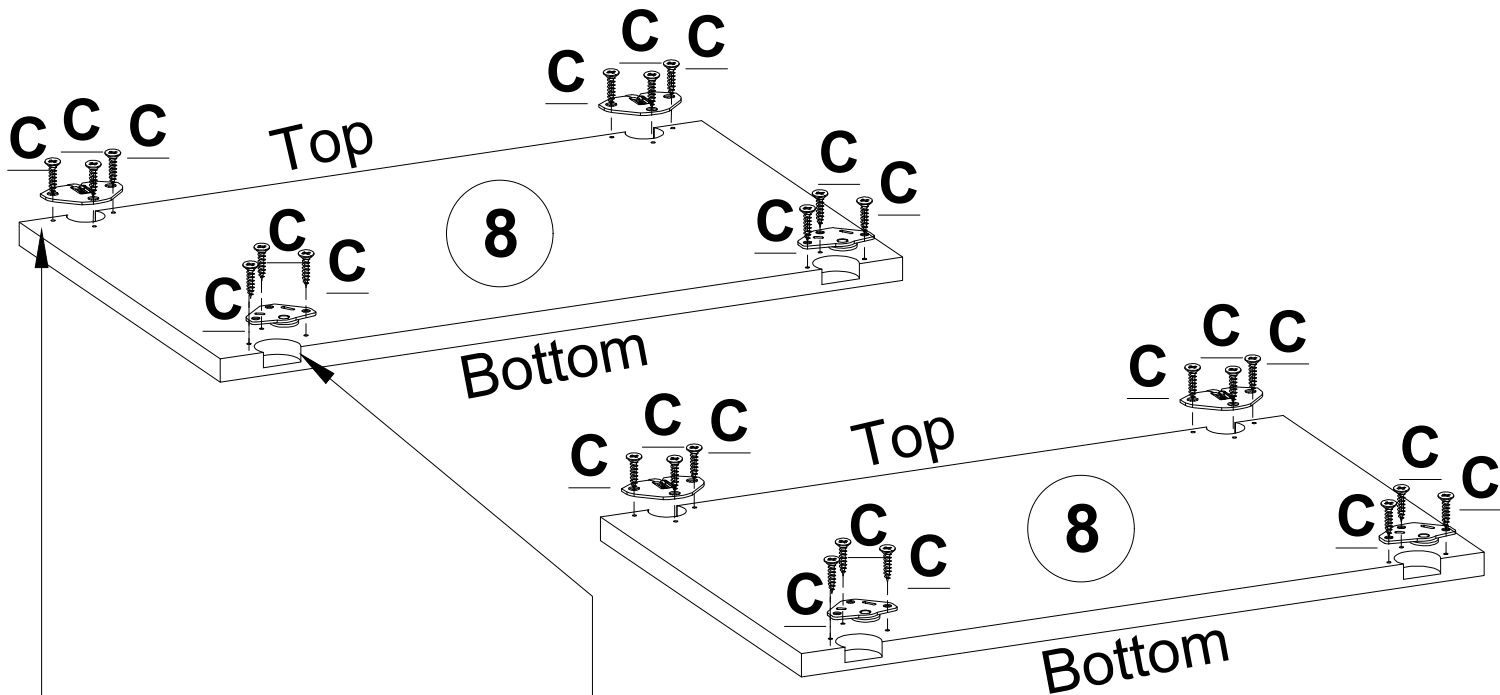
X24

Top mechanism (with spring)

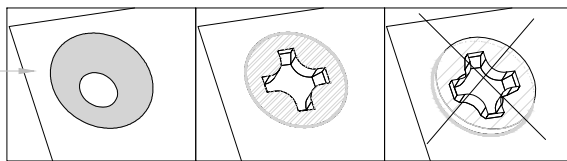


Bottom mechanism (with wheels)

The doors are symmetrical, so they can be installed in either direction.



Make sure the screws are fully seated and the heads stay inside the recess.

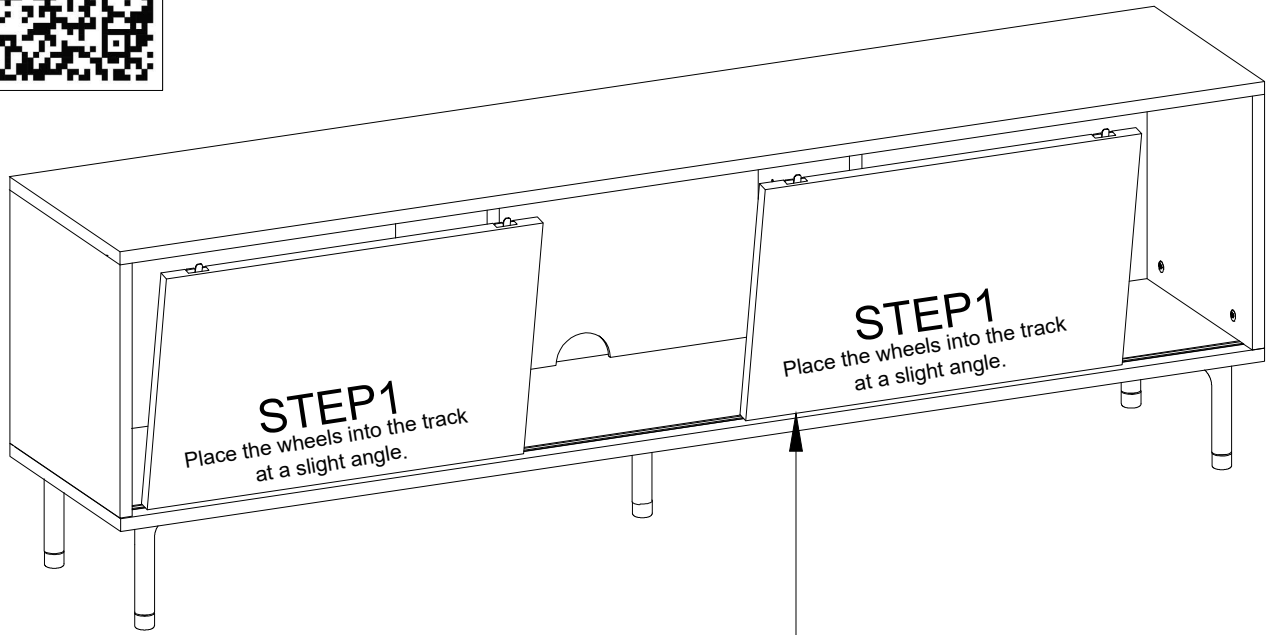


Screw Recess

Correct Installation

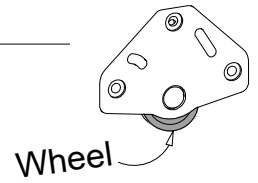


Scan the QR code for the door installation.

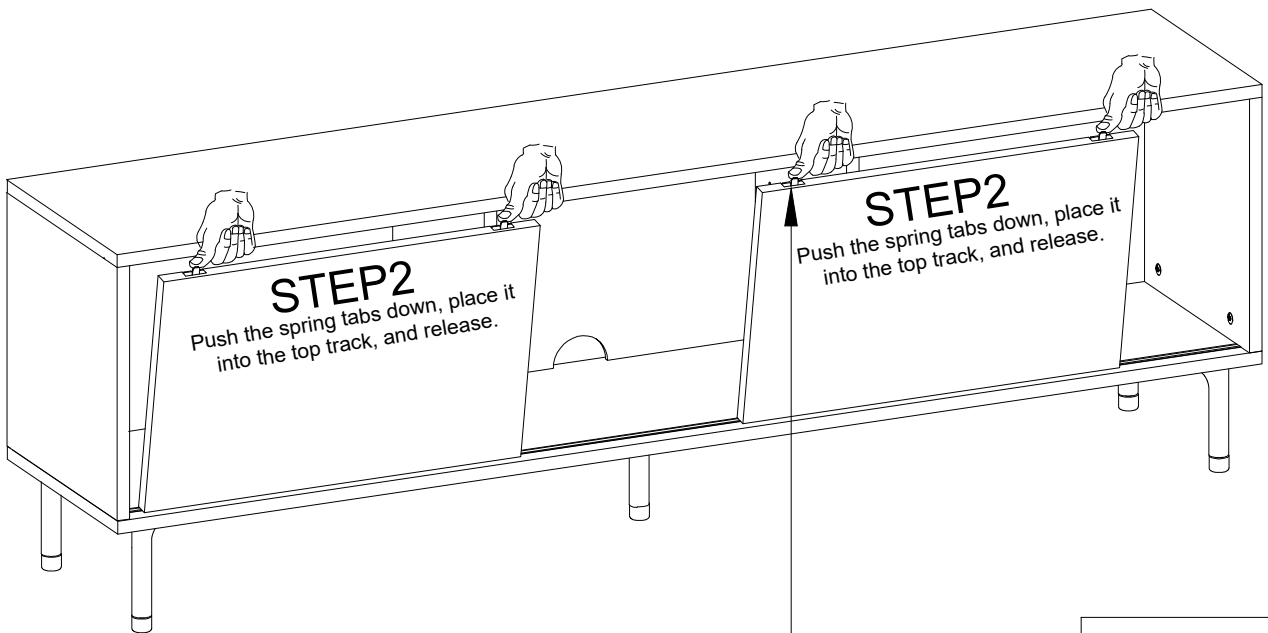


**STEP 1**  
Place the wheels into the track at a slight angle.

**STEP 1**  
Place the wheels into the track at a slight angle.

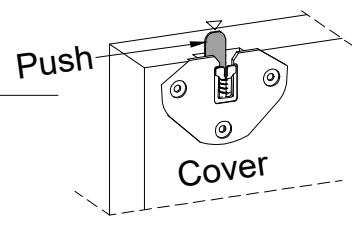


Wheel



**STEP 2**  
Push the spring tabs down, place it into the top track, and release.

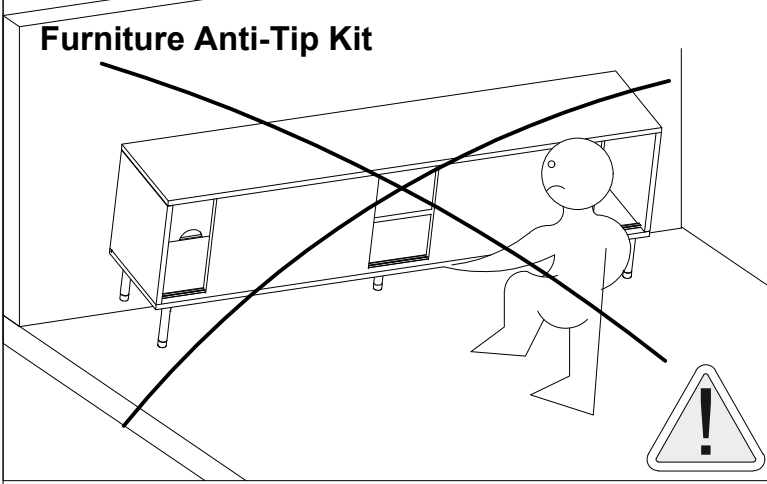
**STEP 2**  
Push the spring tabs down, place it into the top track, and release.


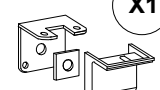

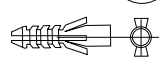


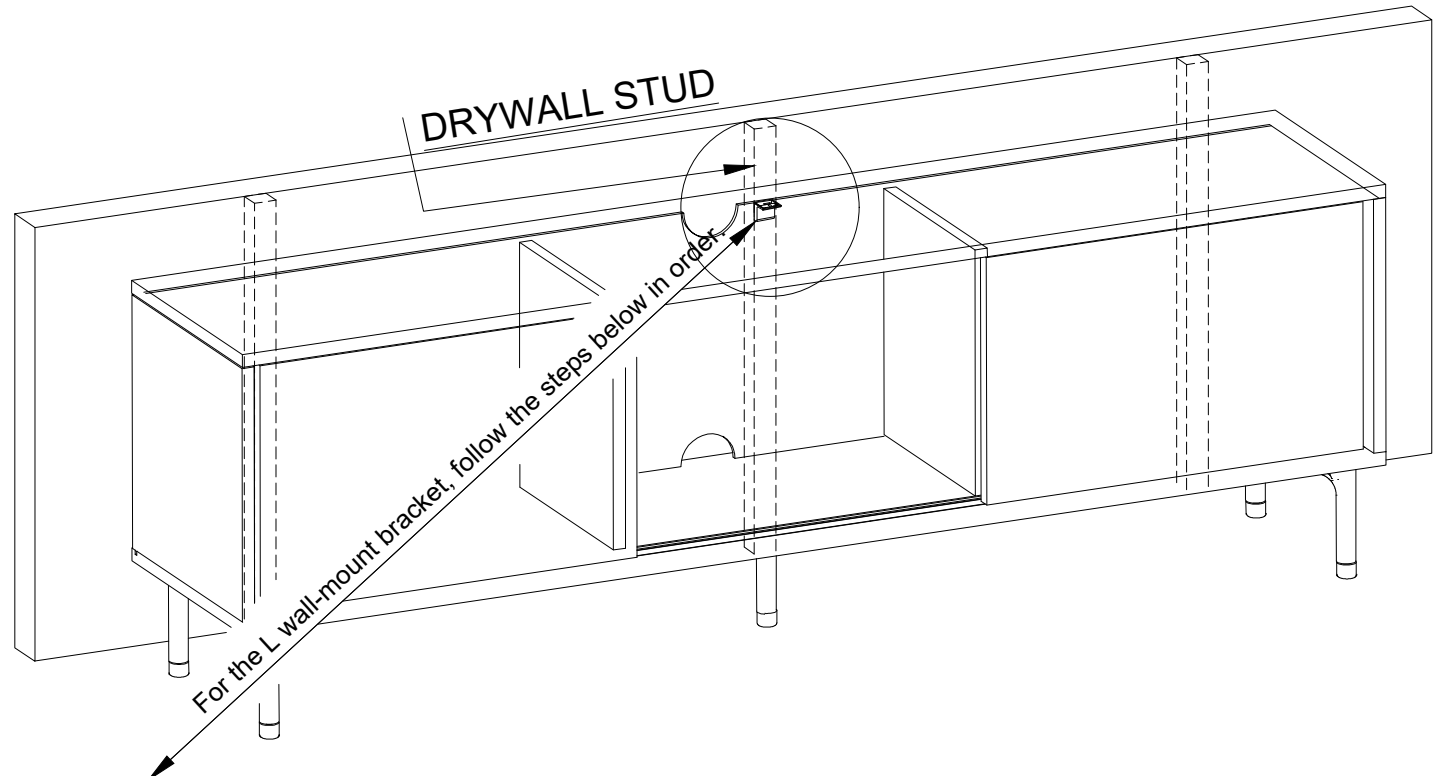
Push

Cover

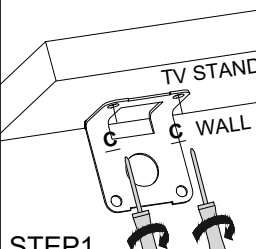
# Furniture Anti-Tip Kit



|   |   |   |
|---|---|---|
|  <b>C</b> (X2)              |  <b>L</b> (X1)                    | When installing on drywall, make sure it is aligned with the stud profile behind the drywall. |
|  <b>L1</b> (X1)<br>drywall |  <b>L2</b> (X1)<br>concrete wall |   |

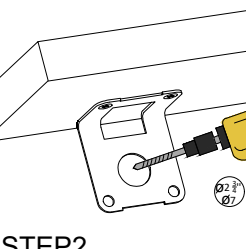


Attach the L-shaped metal piece to the top panel using a C-type screw.



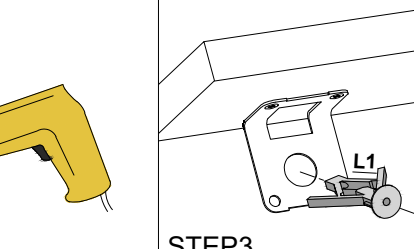
**STEP 1**

Drill a hole in this area of the wall.



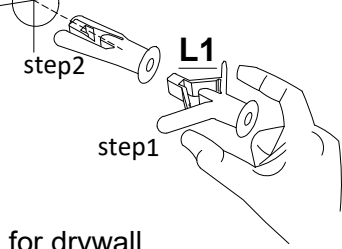
**STEP 2**

Insert the drywall anchor as shown; for concrete, insert directly.



**STEP 3**

\*Press on both sides of the anchor to insert it into the hole

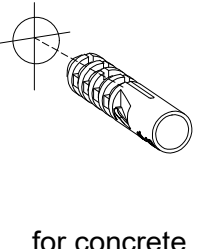


**step 1**

**step 2**

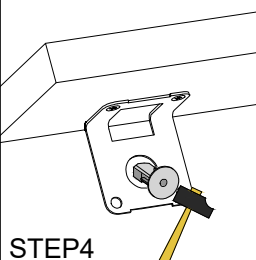
**L1**

for drywall



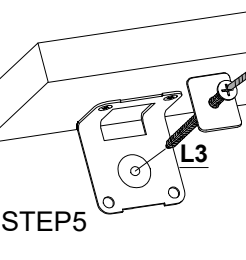
for concrete

Gently tap the anchor in with a plastic mallet.



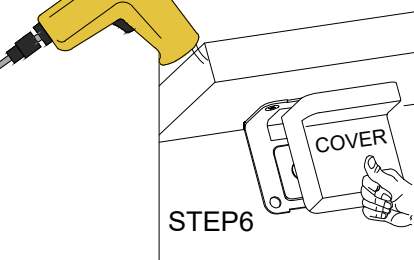
**STEP 4**

Screw in the L3 bolt together with the small metal bracket.



**STEP 5**

Finally, attach the cover.



**STEP 6**



Scan for 'L Bracket' Video Assembly

# Notes

A series of horizontal dotted lines for writing notes.