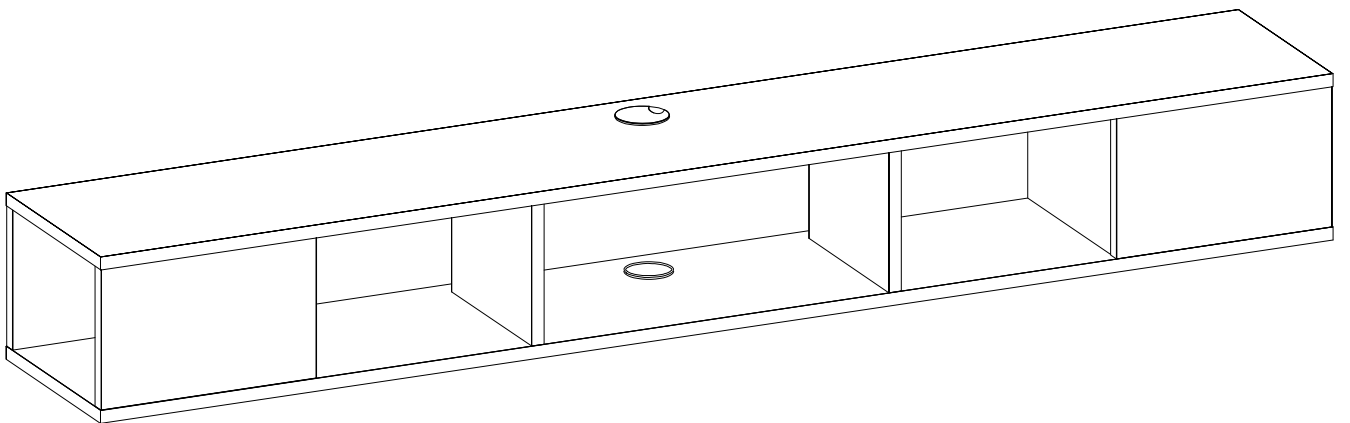




SCAN FOR  
VIDEO ASSEMBLY





## **Español**

### **ADVERTENCIA!**

El vuelco del mueble puede provocar lesiones graves o mortales por aplastamiento. Para evitar que este mueble vuelque, recomendamos encarecidamente su uso con los dispositivos de fijación a la pared suministrados.

## **Deutsch**

### **WARNUNG!**

Schwere oder tödliche Quetschverletzungen können durch das Umkippen von Möbeln entstehen. Um das Umkippen dieser Möbel zu verhindern, empfehlen wir dringend die Verwendung der mitgelieferten Wandbefestigungsvorrichtung(en).

## **Nederlands**

### **WAARSCHUWING!**

Serieuze of fatale verpletteringsletsels kunnen optreden door het omvallen van meubels. Om dit te voorkomen, raden we ten zeerste aan om de muurbevestigingsmiddelen te gebruiken die bij dit meubilair worden geleverd.

## **English**

### **WARNING!**

Serious or fatal crushing injuries can occur from furniture tip over. To prevent tip over this furniture we highly recommend to use with the wall attachment device(s) provided.

## **Français**

### **AVERTISSEMENT!**

Risque de blessure grave ou mortelle par écrasement en cas de chute du meuble. Pour éviter tout risque de basculement, ce meuble doit être fixé au mur à l'aide des fixations incluses.

## **Ελληνική**

### **ΠΡΟΕΙΔΟΠΟΙΗΣΗ!**

Σοβαροί ή θανατηφόροι τραυματισμοί από την ανατροπή του επίπλου είναι πιθανοί. Για να αποτραπεί αυτή η ανατροπή, συνιστούμε ανεπιφύλακτα να χρησιμοποιήσετε τη συσκευή ή τις συσκευές στερέωσης στον τοίχο που παρέχονται με το έπιπλο.

Dear Valued Customer,

Before embarking on the assembly journey of our meticulously designed furniture piece, we extend a friendly caution to those who might find themselves navigating the assembly instructions like uncharted waters. Consider this your assembly roadmap, but remember, not all who venture forth heed the warnings.

**Mind the Details:** In the intricate dance of screws, bolts, and mysterious components, attention to detail is your compass. Failure to acknowledge the subtleties may lead to a misstep in the assembly waltz.

**Avoid Solo Sailing:** While solo adventures are admirable, assembling our furniture is a team sport. Rally your crew, or at least one reliable sidekick, to ensure a smoother voyage. Two sets of eyes are better than one, especially when deciphering assembly hieroglyphics.

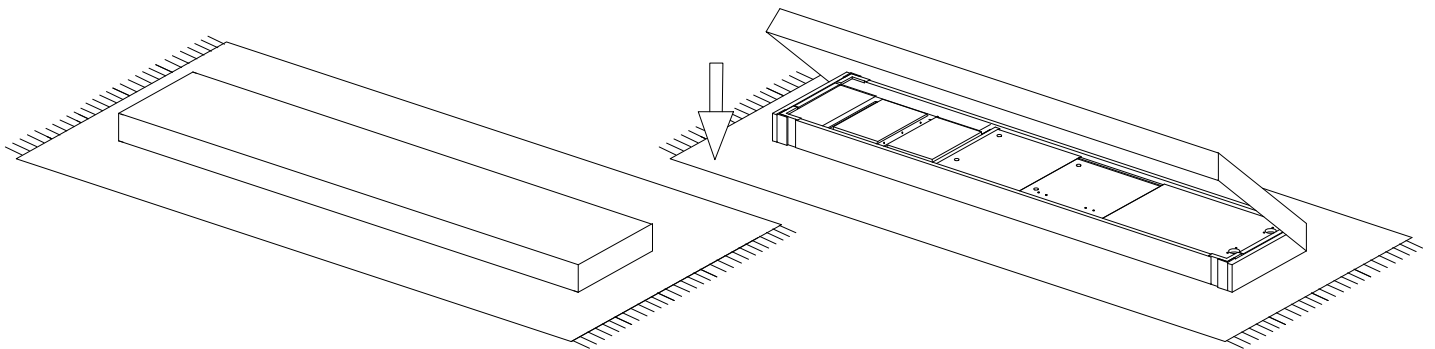
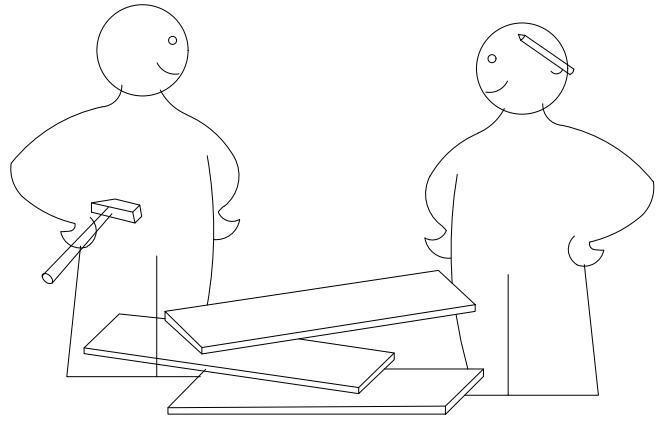
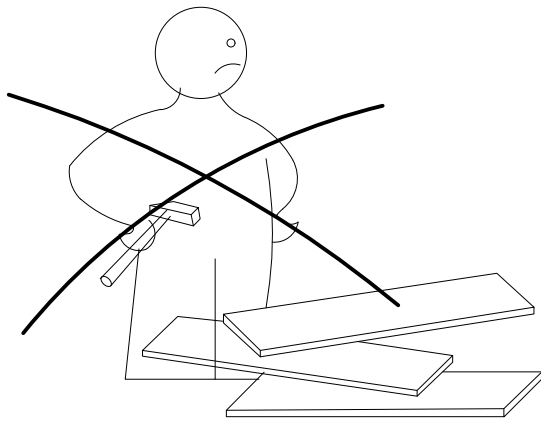
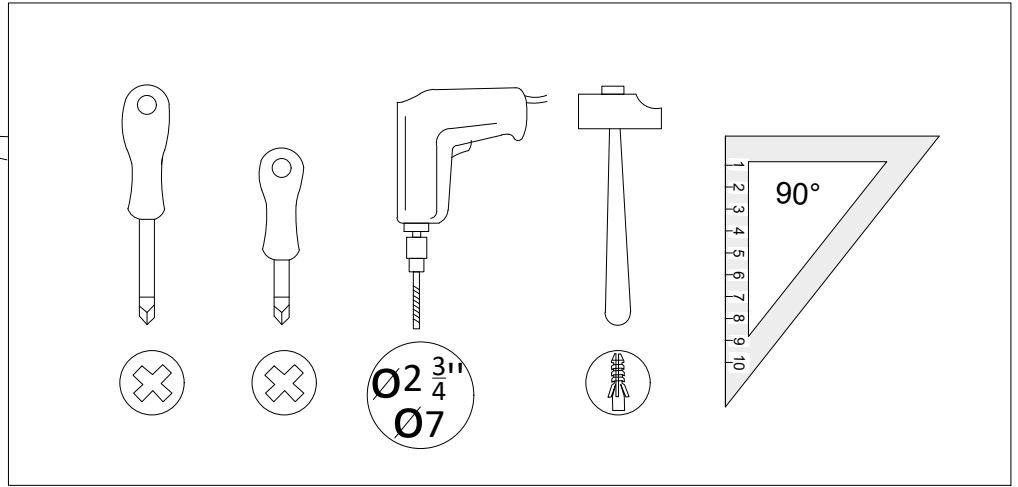
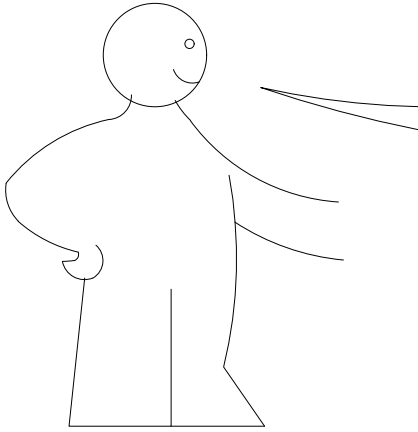
**Tools are Your Allies:** The toolkit provided isn't just for show. Each tool is a trusty sidekick in your quest for furniture glory. Disregarding their importance may result in frustration and a potential detour to the hardware store.

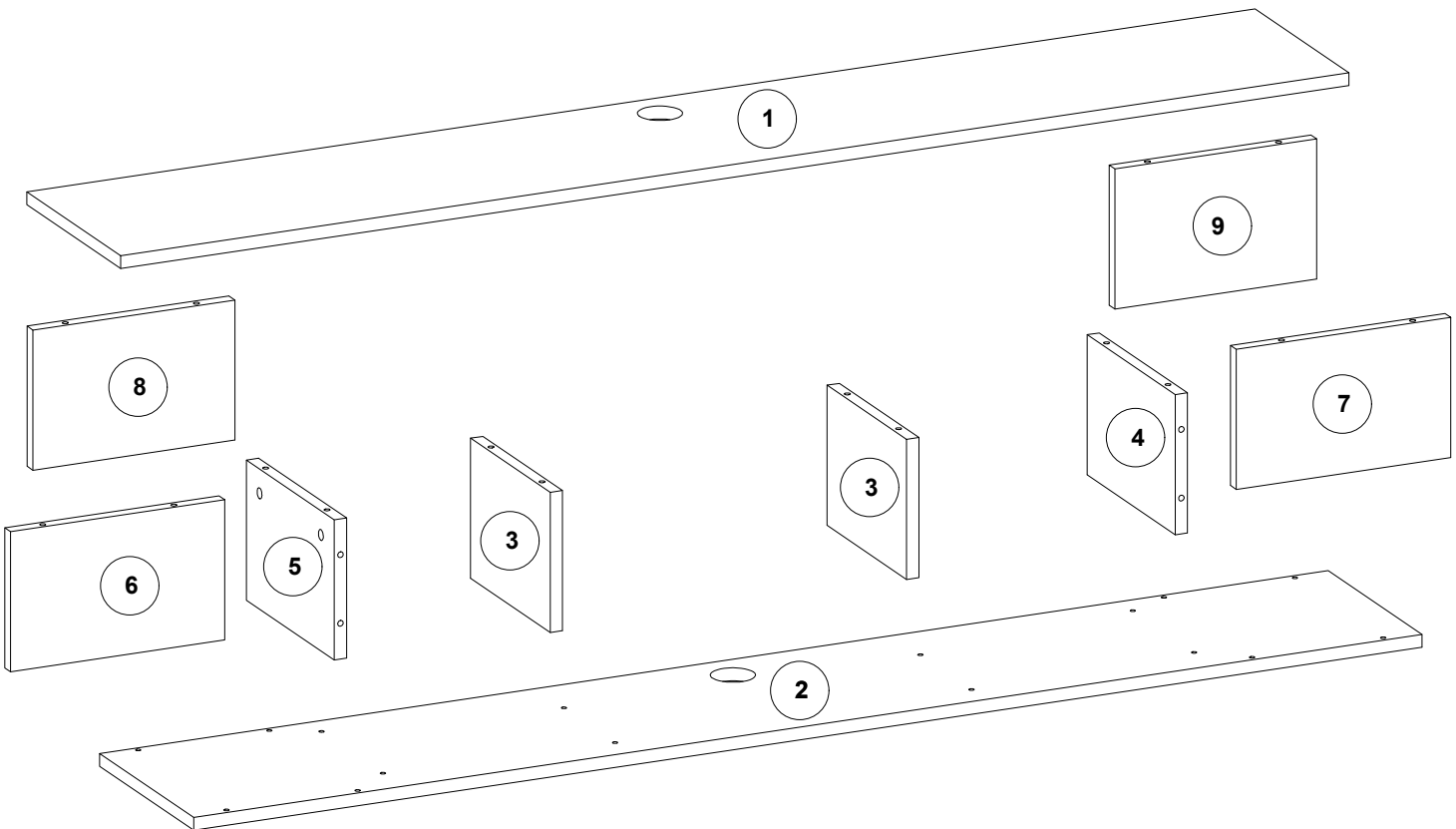
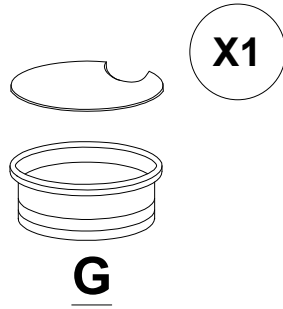
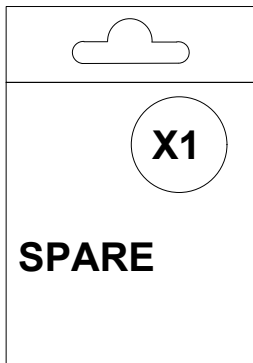
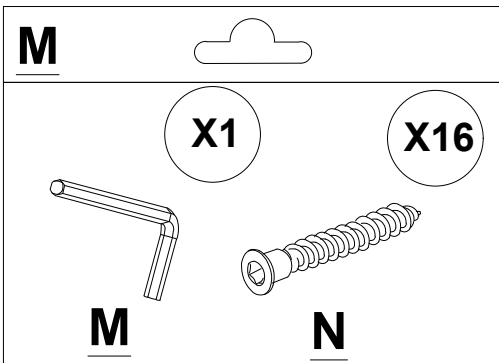
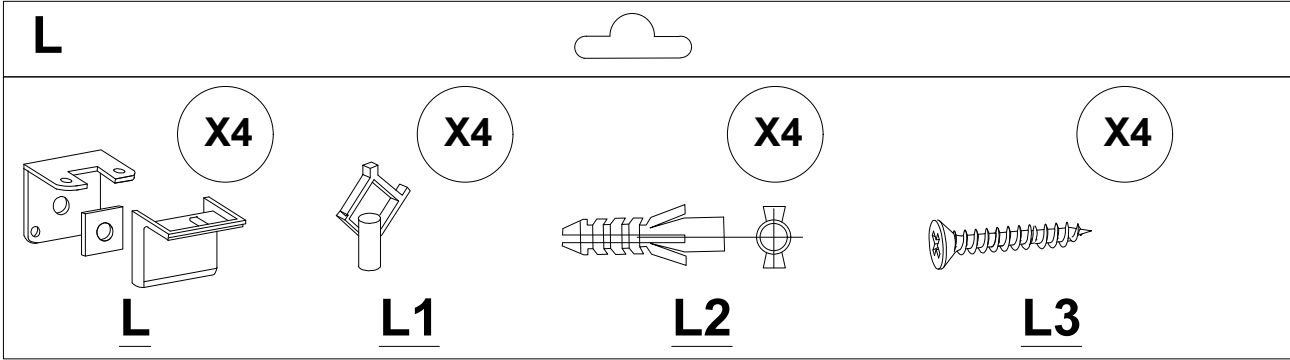
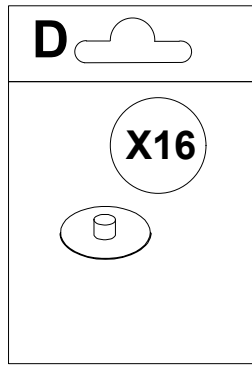
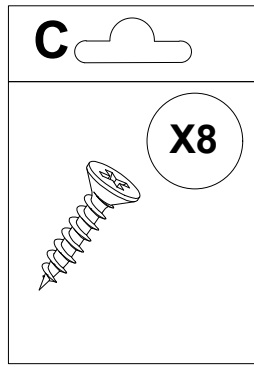
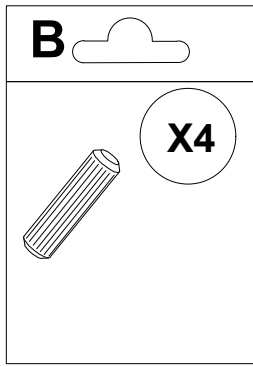
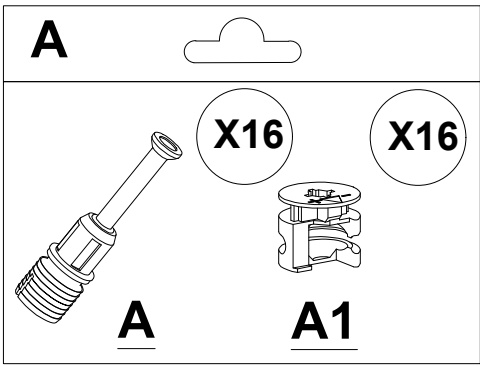
**The Manual is Your Map:** The assembly manual is not just a paperweight. It's your treasure map to furniture utopia. Ignoring its guidance may result in the dreaded disassembly-reassembly loop, a journey no one wants to embark upon.

Remember, brave assembler, you hold the power to turn a pile of parts into a functional masterpiece. With great power comes great responsibility. May your assembly journey be smooth, your Allen wrench swift, and your furniture stand tall and proud.

Happy assembling!

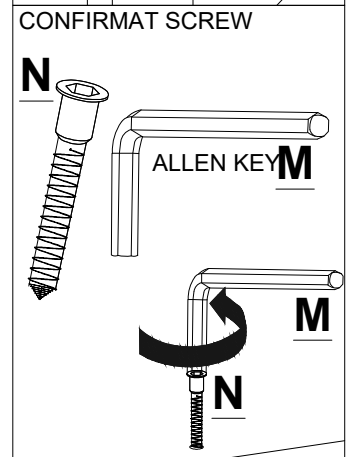
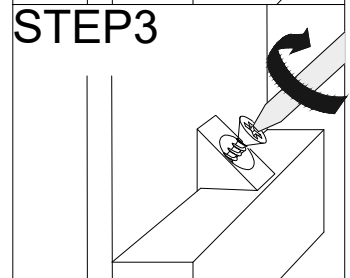
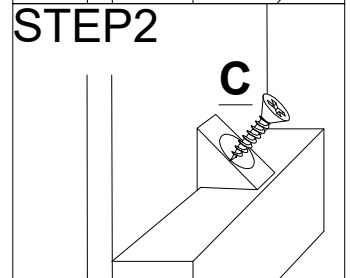
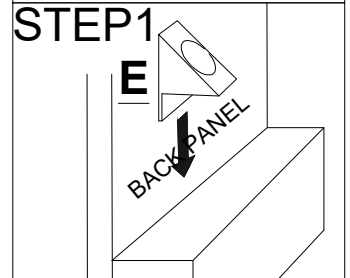
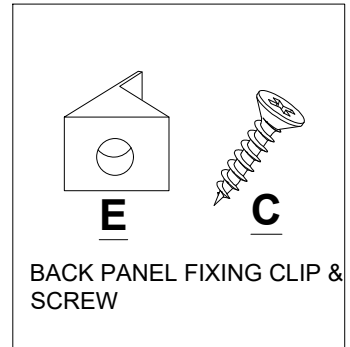
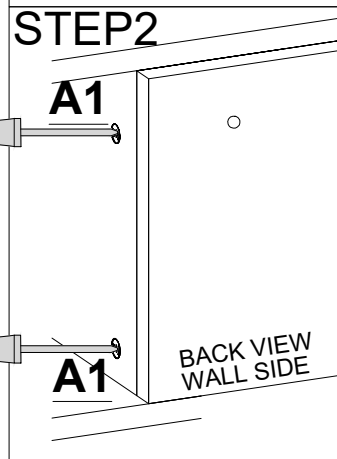
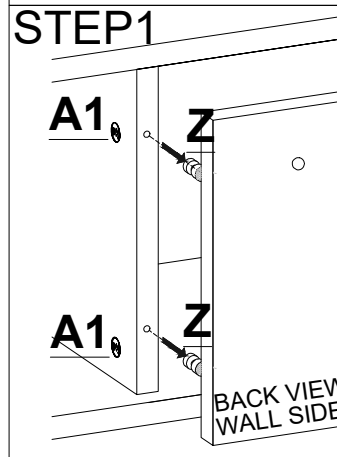
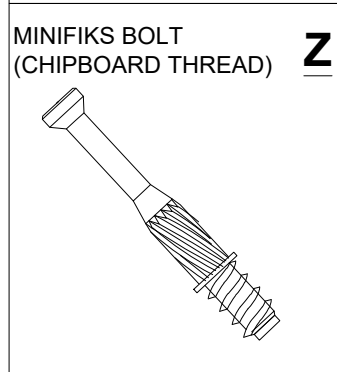
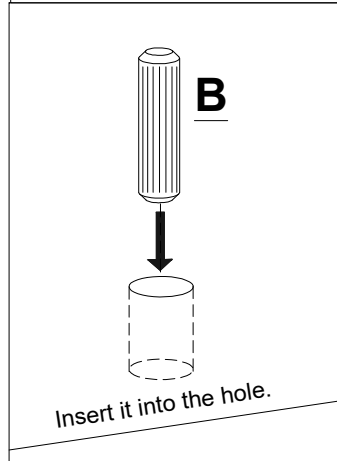
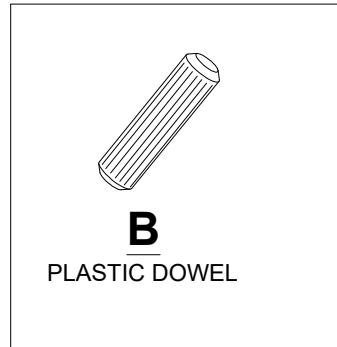
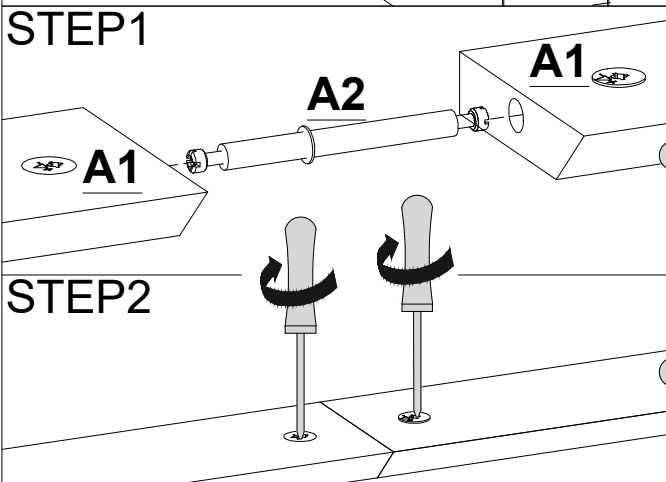
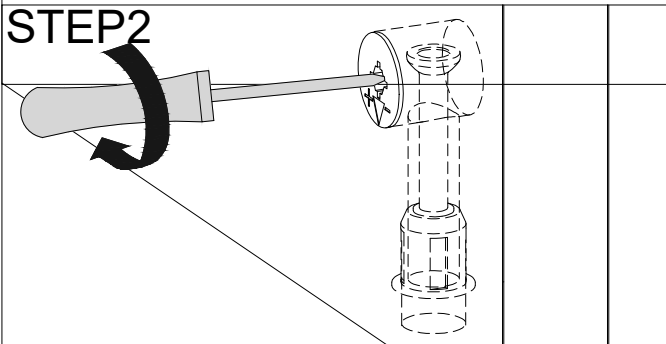
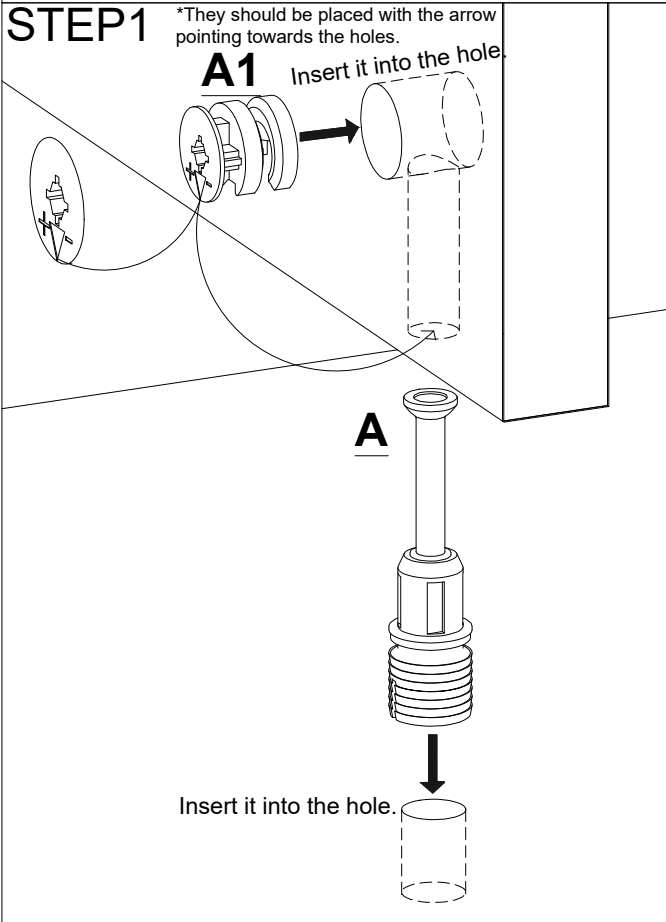
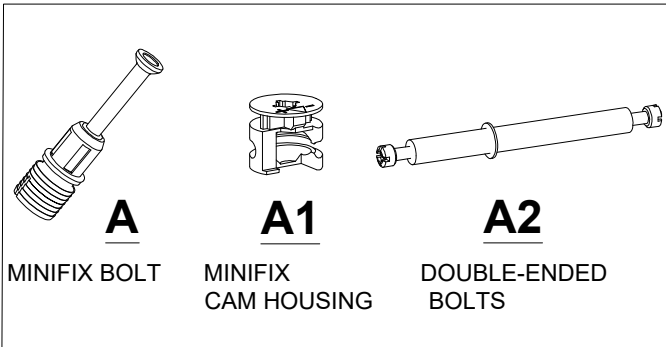
Use the drill only to secure the product to the wall.



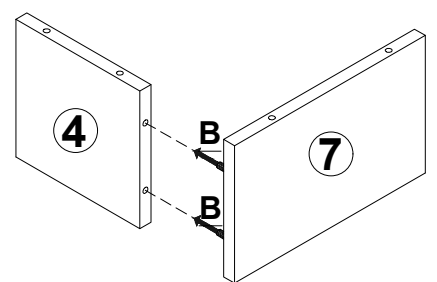
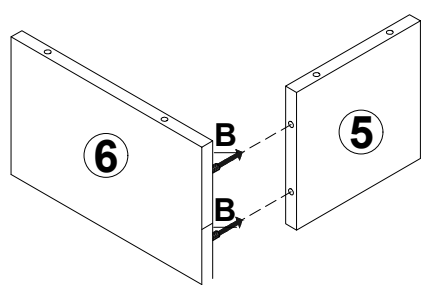
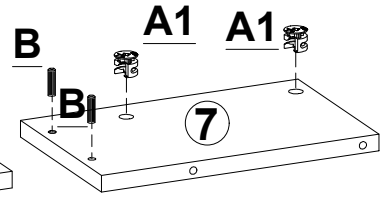
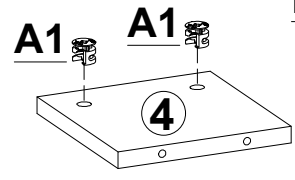
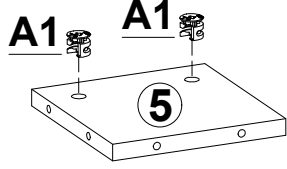
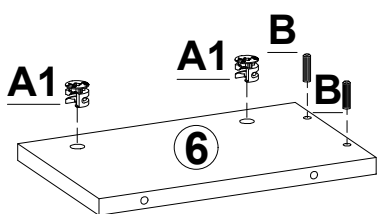
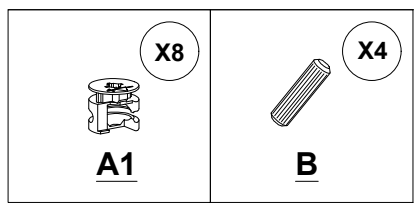
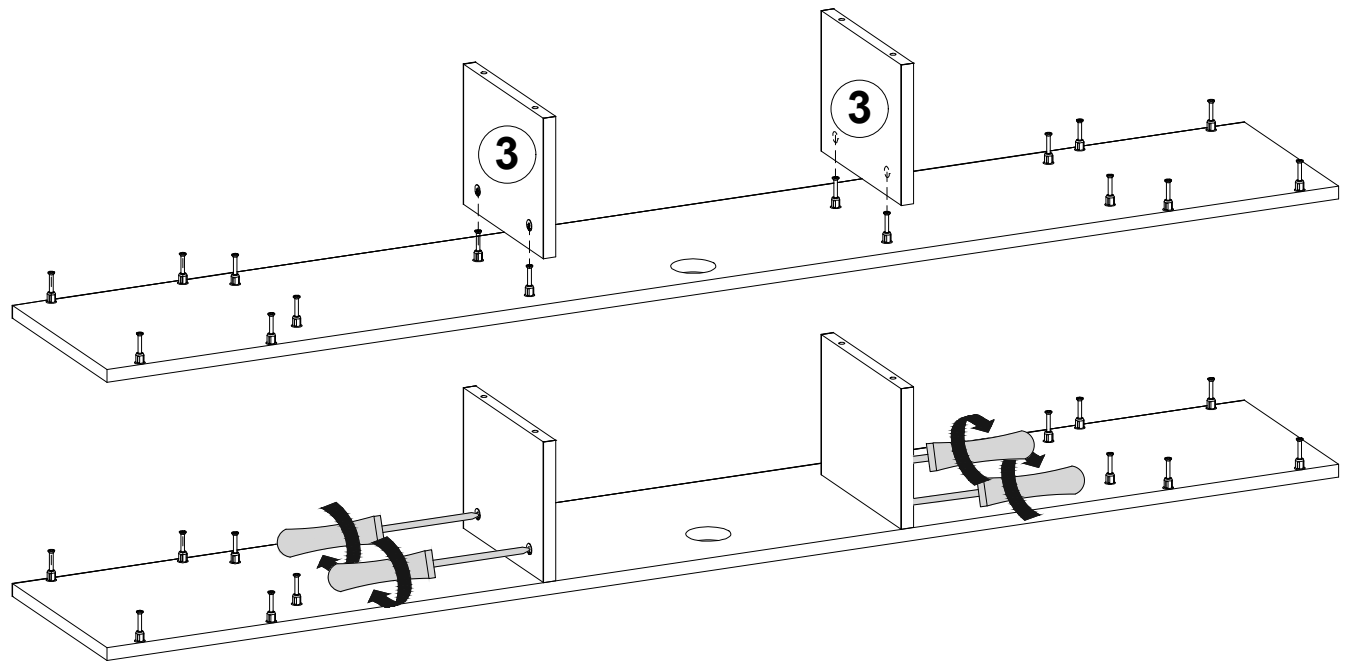
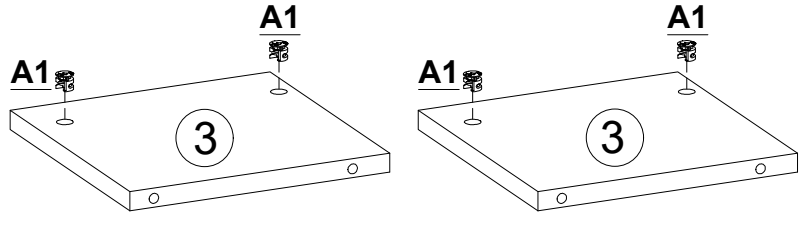
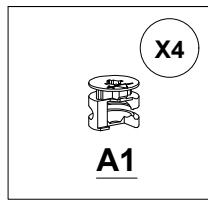
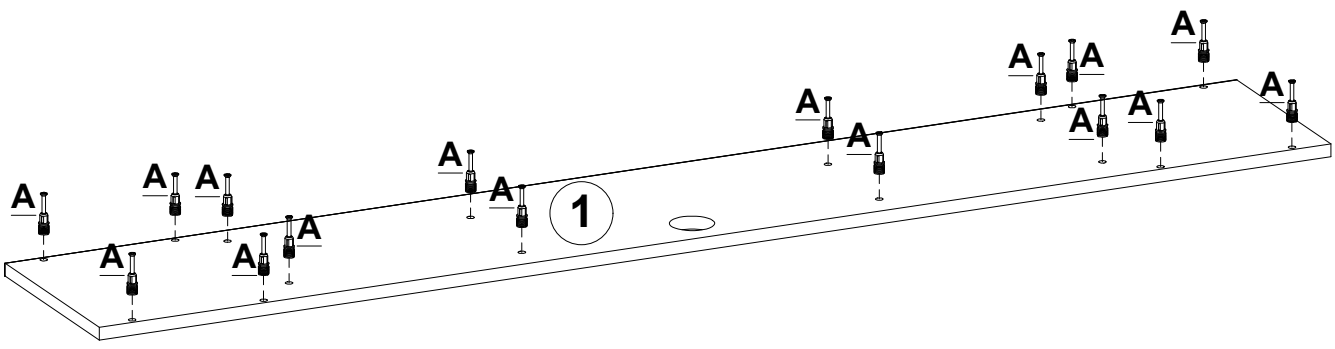
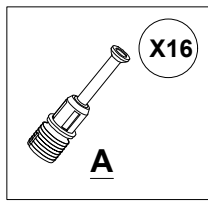


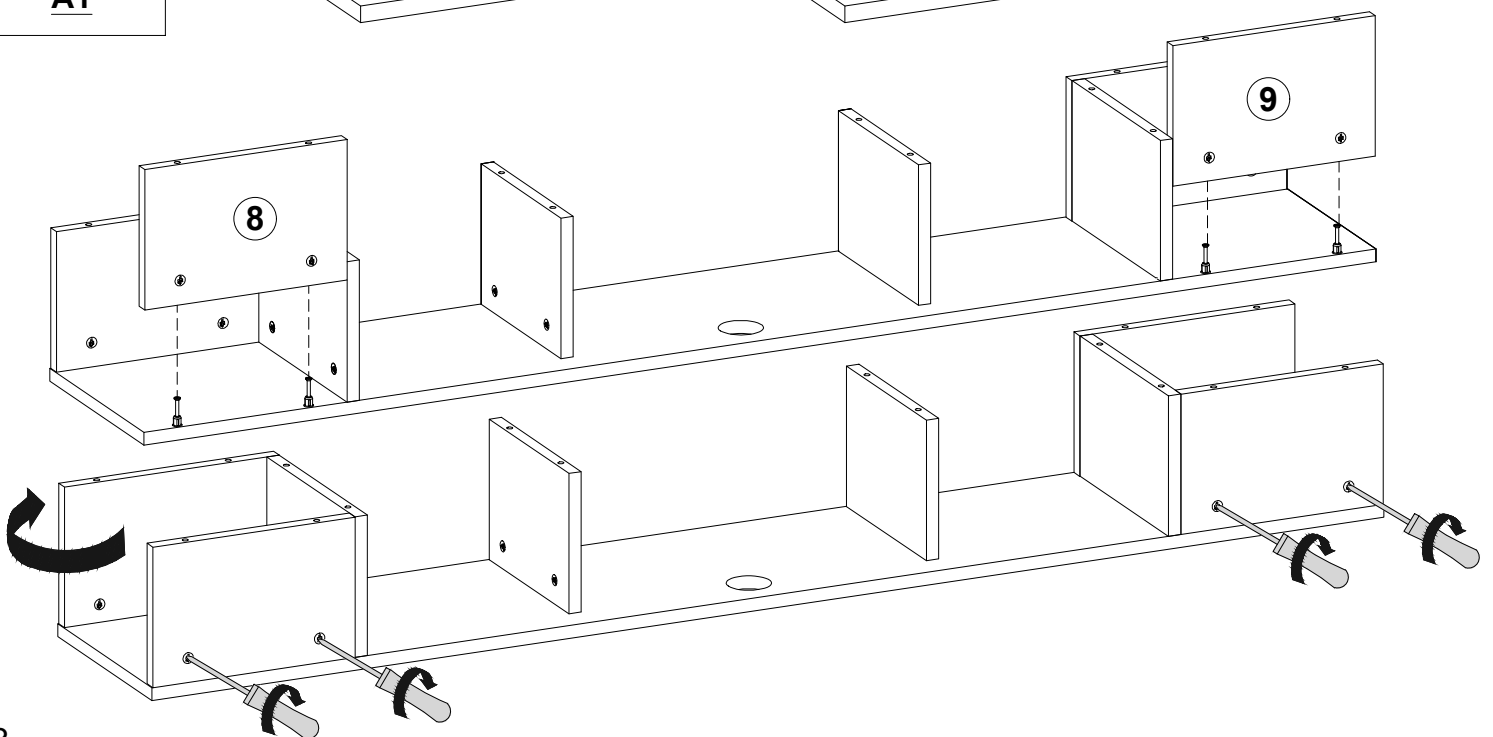
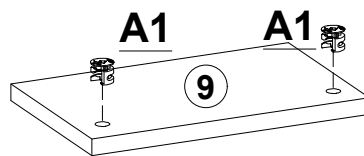
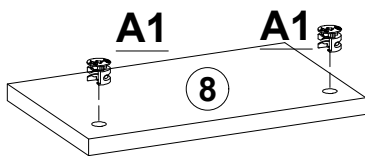
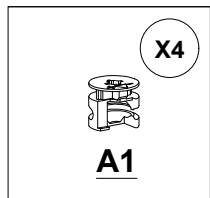
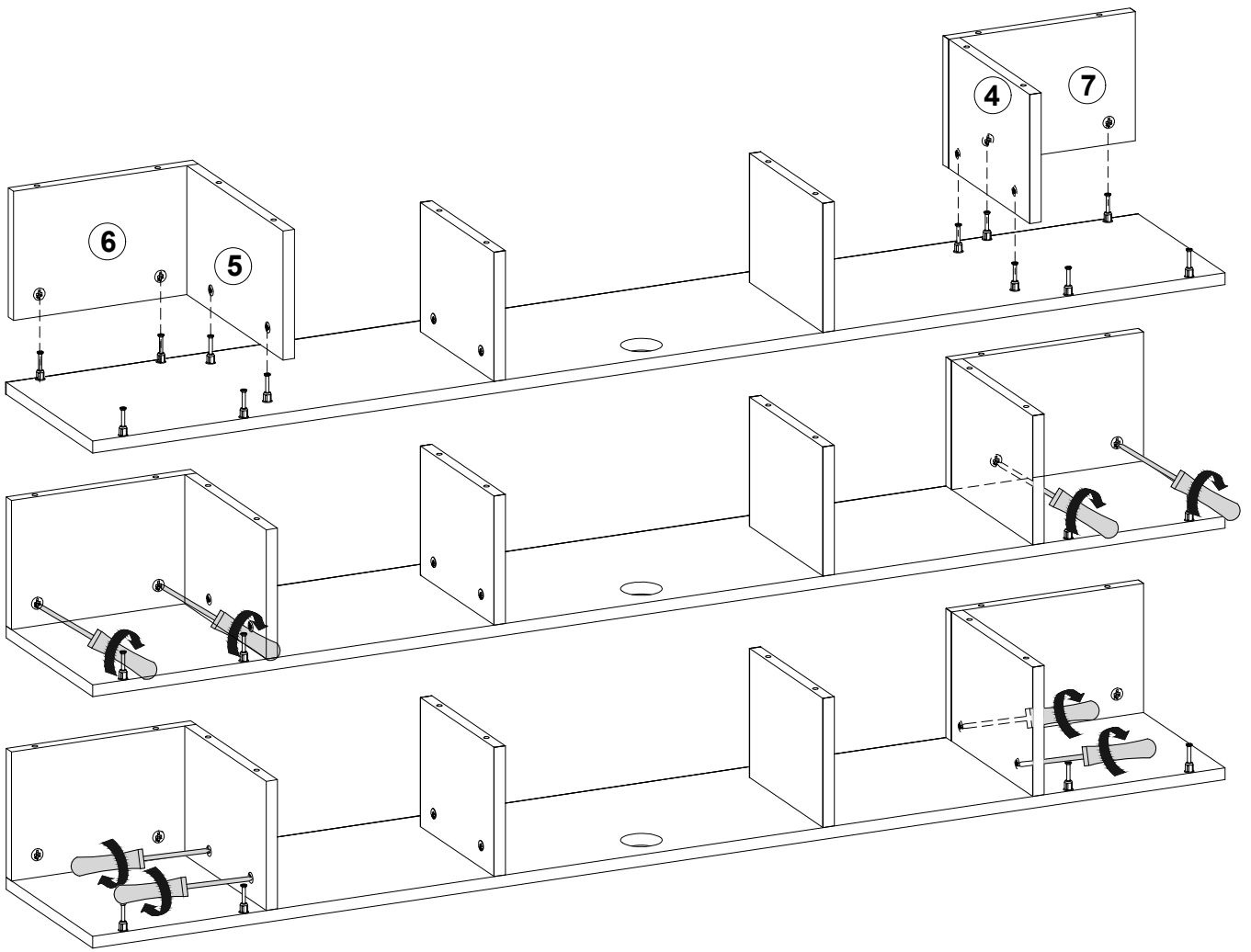
# General Use of Hardware

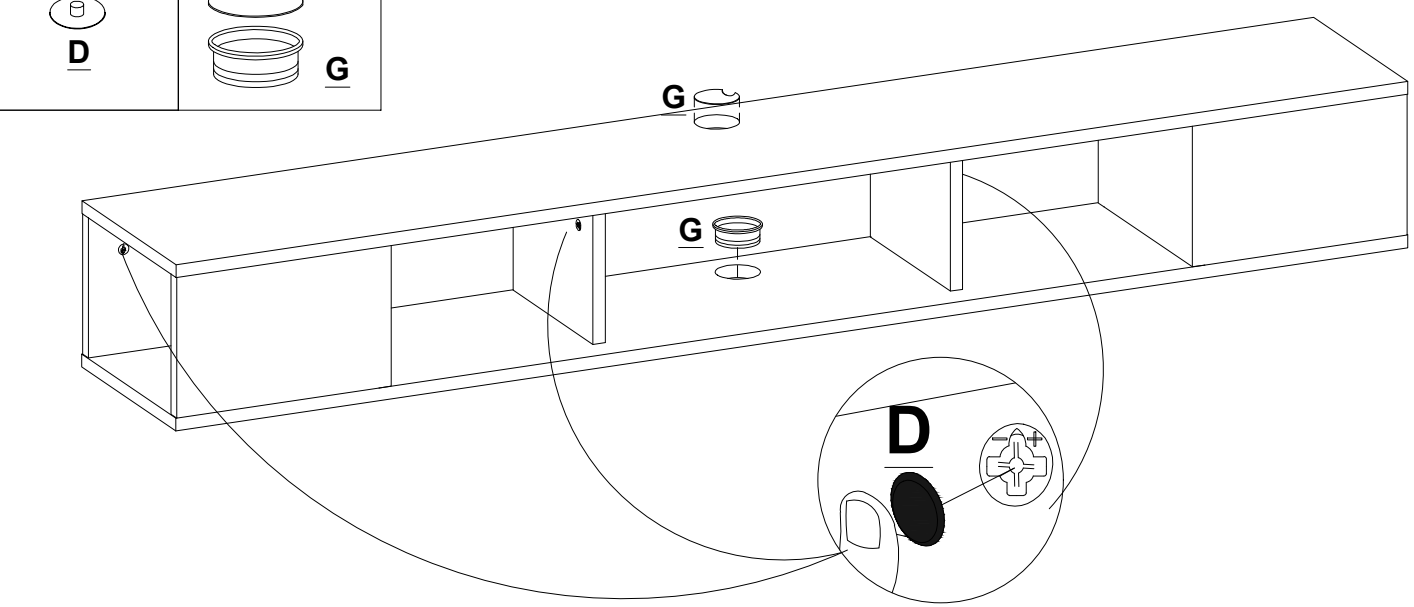
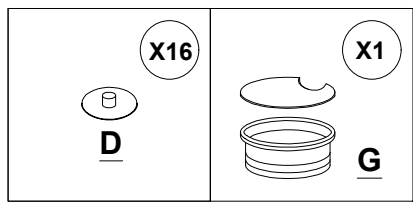
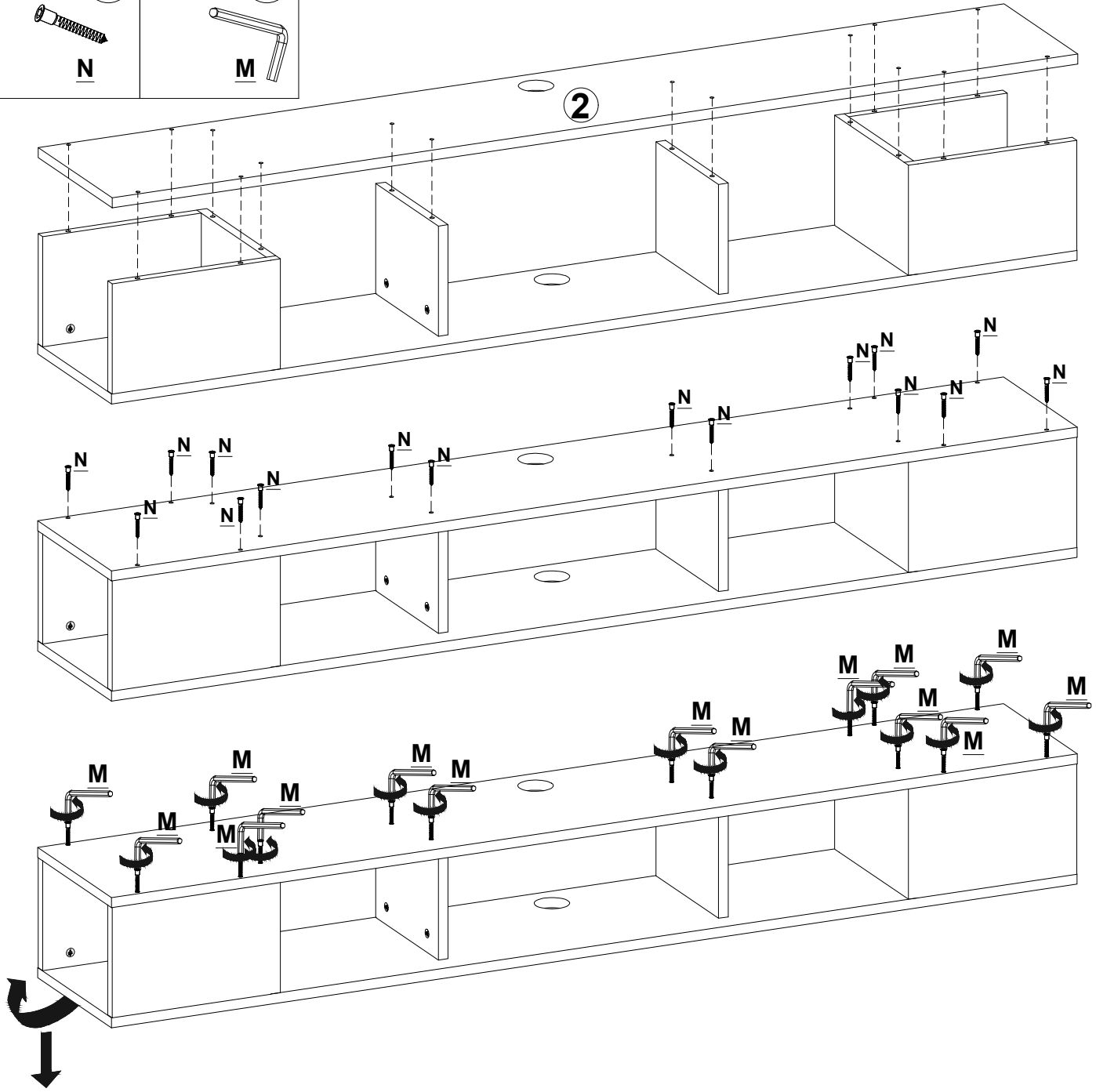
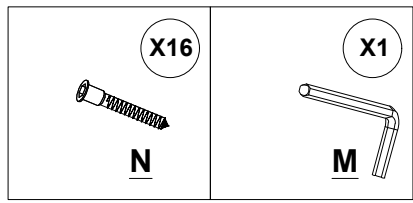
\*When setting up your furniture, you can follow the placement of accessories here.



For more details and additional accessory installation, you can watch the video.









## **WARNING! Please read this page.**

**Since the product you purchased will be installed on the wall, proper positioning is important. When mounting on the wall, first mark the total measurements on the wall. Then, drill holes according to the marks and proceed with the installation. To ensure alignment in side-by-side modules, check the level with a spirit level each time.**

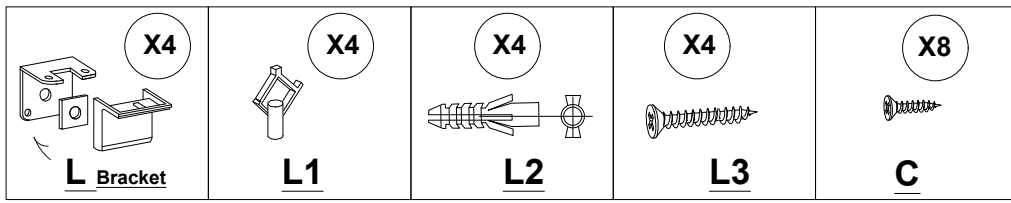
If you are uncertain about details such as wall type, thickness, or the location of electrical and plumbing installations, we recommend seeking professional installation assistance.

For ease of installation, you will need to use a power drill while following the steps below.

The box includes only drywall and concrete anchors with mounting screws. Use anchors and screws suitable for your walls. Carefully read and follow each step of the instructions.



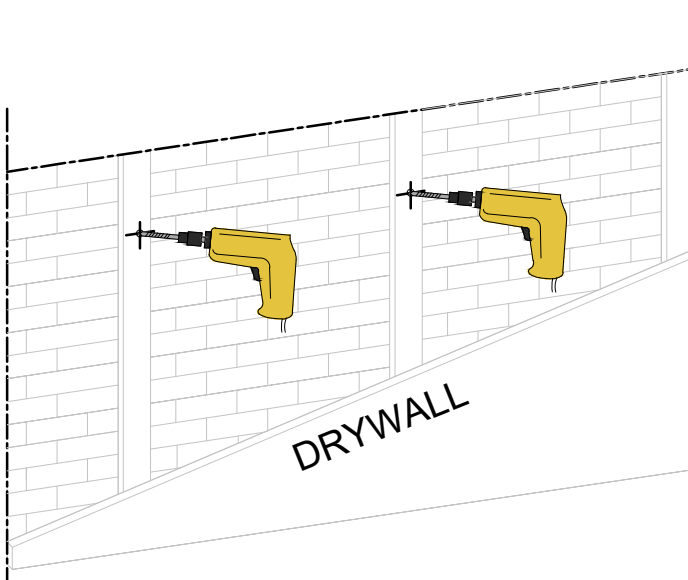
Scan for Wall Mounting Video



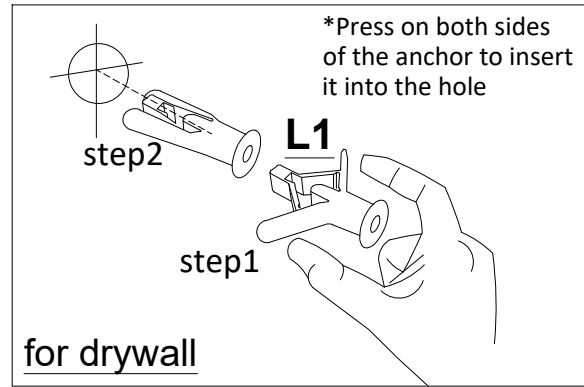
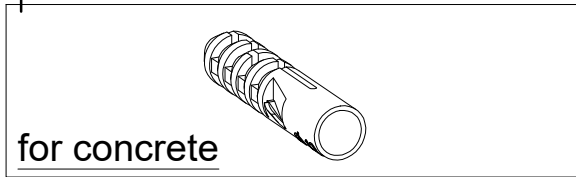
Scan for 'L Bracket' Video Assembly

If you'd like to see more details on how to install the brackets, you can watch the video in the QR code.

Before drilling the wall for the anchor holes, make sure that the right and left sides of the unit are square and properly aligned. Use a spirit level if necessary. If there is any tilt or misalignment, slightly lift the unit to correct it and ensure it is level before drilling the wall.



Before mounting the L-shaped bracket on the wall, if the wall is drywall, make sure at least two of the screw points—facing different directions—are aligned with the studs behind it. Remember that anchors used for concrete walls and those used for drywall are different, so it's important to identify the wall type correctly and choose the proper anchor.

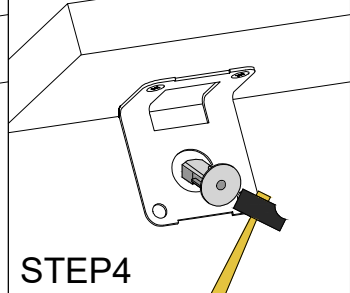
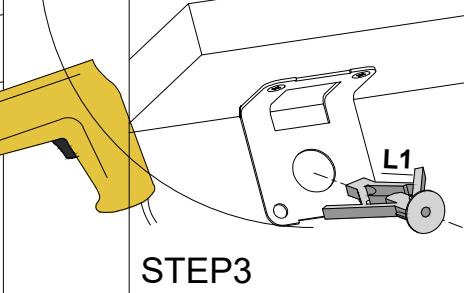
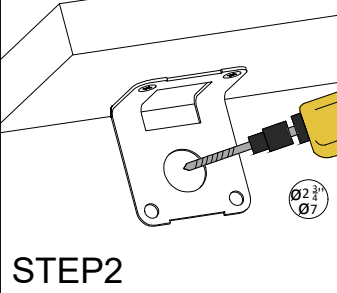
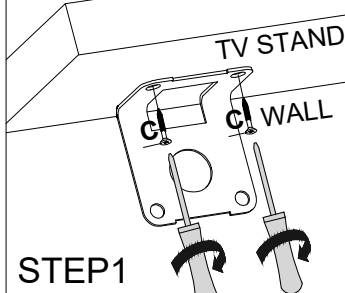


After identifying the area where it will be mounted, attach this L-shaped metal piece to the upper and lower plates using a C screw.

Drill a hole in this area of the wall.

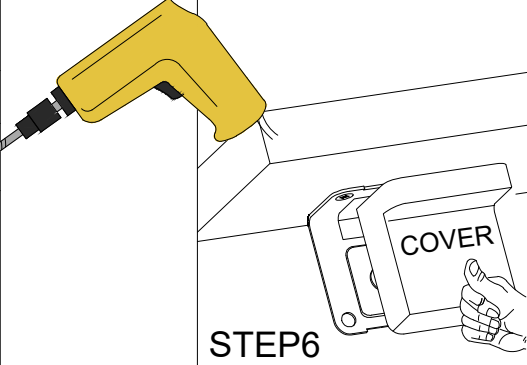
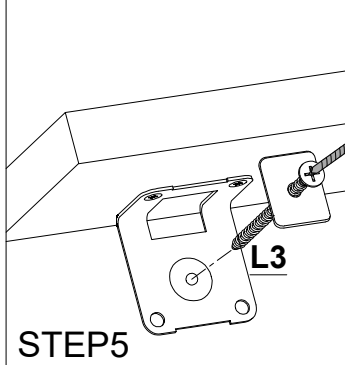
Insert the drywall anchor as shown; for concrete, insert directly.

Gently tap the anchor in with a plastic mallet.

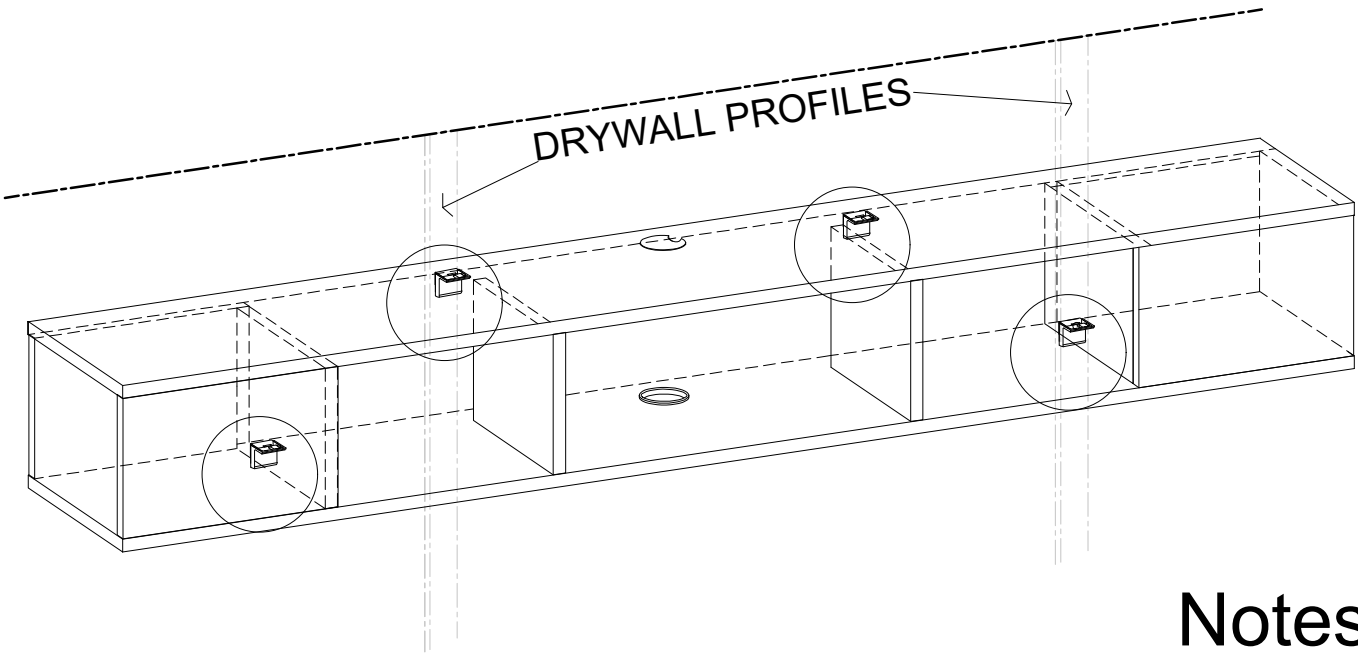


Screw in the L3 bolt together with the small metal bracket.

Finally, attach the cover.



Before mounting the L-shaped bracket on the wall, if the wall is drywall, make sure at least two of the screw points—facing different directions—are aligned with the studs behind it.



## Notes

A series of horizontal dotted lines for taking notes.